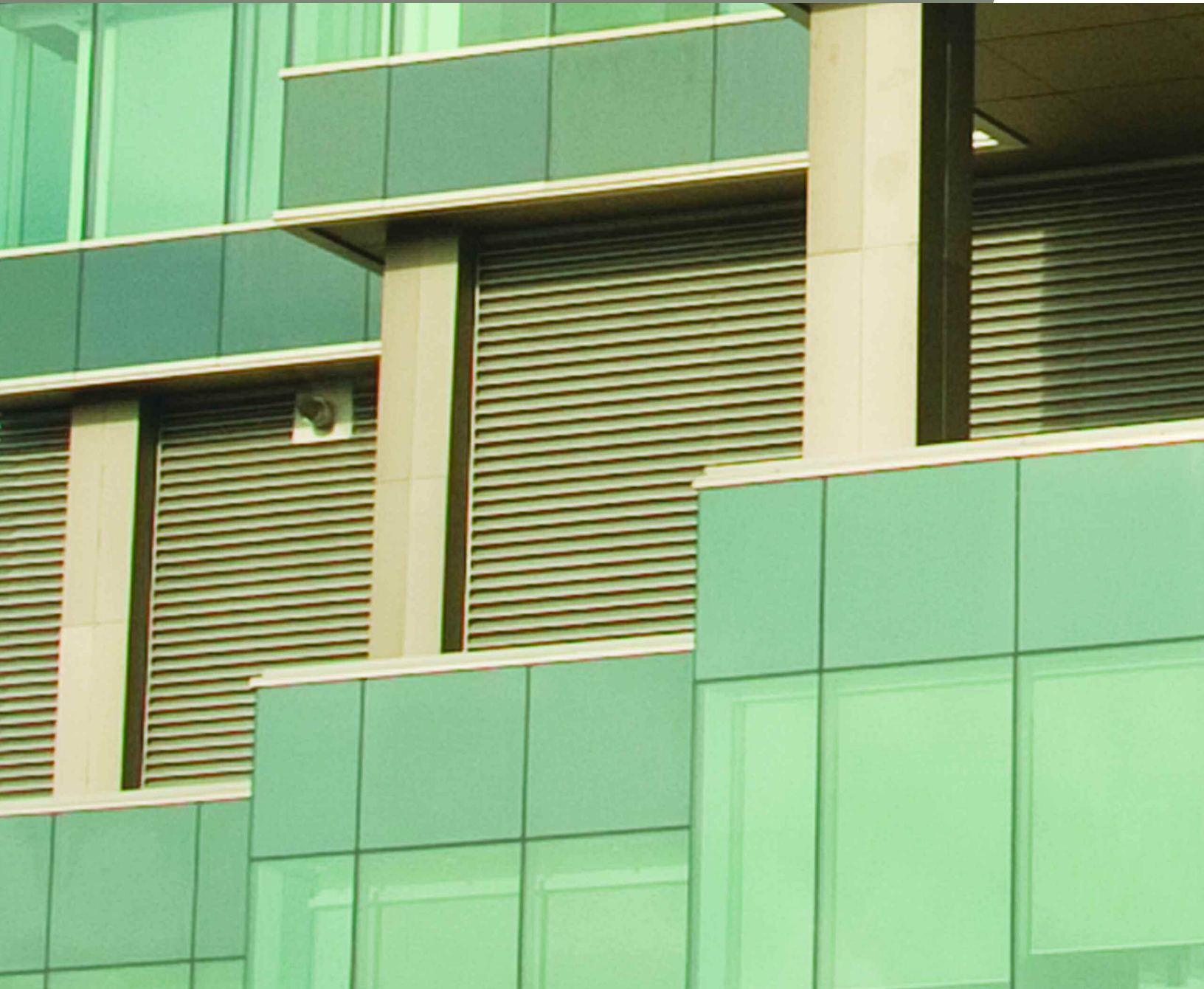


# LOUVER PRODUCTS



- Architectural Blade Louvers
- Drainable Blade Louvers
- Wind-Driven Rain Louvers
- Sightproof Louvers
- Acoustical Louvers
- Thinline Louvers
- Operable Louvers
- Penthouses
- Backdraft Dampers
- Gravity Ventilators
- Wall Hoods



[www.ventexinc.com](http://www.ventexinc.com) August 2013



MODEL SELECTION GUIDE .....	3
LOUVER SIZING GUIDELINES & ACCESSORIES .....	4
AVAILABLE FINISHES .....	5
MODEL 2210/2215 EXHAUST LOUVERS .....	6
MODEL 2220/2225 STORMPROOF LOUVERS .....	7
MODEL 2410/2415 HI PRO EXHAUST LOUVERS .....	8
MODEL 2450/2455 HI PRO HIGH PERFORMANCE LOUVERS .....	9
MODEL 2420/2425 HI PRO STORMPROOF LOUVERS .....	10
MODEL 2430/2435 HI PRO DRAINABLE LOUVERS .....	12
MODEL 2440/2445 TRANSFORMER VAULT LOUVERS .....	14
MODEL 2590 WIND-DRIVEN RAIN LOUVER .....	15
MODEL 2620/2625 STORMPROOF LOUVERS .....	16
MODEL 2630/2635 DRAINABLE LOUVERS .....	18
MITRE CORNER PENTHOUSE .....	20
MULLION CORNER PENTHOUSE .....	21
MODELS GV-I & GV-E GRAVITY VENTILATORS .....	22
MODELS WHD-45 & WHD-90 WEATHER HOODS .....	23
MODEL SERIES ACL ACOUSTIC LOUVERS .....	24
MODEL BV – BRICK VENT .....	26
MODEL 2420-OP/2425-OP STORMPROOF OPERABLE LOUVER .....	27
MODEL 1200 EXTRUDED BACKDRAFT DAMPER (FORMERLY BDD) .....	28
MODEL 1100 ROLL-FORMED BLADE BACKDRAFT DAMPER (FORMERLY RFD) .....	30
MODEL 1300 MOTORIZED DAMPER (FORMERLY MBD) .....	31

Cover photo: Ventex Model 2420 Louvers, Archives of Ontario Building, York University, Toronto, ON

**NOTE:**

Although great care has been taken in the production of this catalogue, illustrative or copy errors may occur. Ventex assumes no liability for any errors contained herein. This publication supercedes all prior technical, policy, and print data. Specifications subject to change without notice. Visit [www.ventexinc.com](http://www.ventexinc.com) for the most current information. Copyright © August 2013 Ventex. ALL RIGHTS RESERVED. Printed in Canada.

**VENTEX MODEL SELECTION GUIDE**

**EXTRUDED ALUMINUM LOUVERS**

Depth	Model	Material	Blade Thickness	Blade Type	Blade Angle	Blade Centre	Min. Height	Max. Panel Width	Max. Panel Size	Free Area Unit Size 48" x 48"
2"	2220/2225	Extr. Alum.*	0.062"	Stormproof	45°	3"	6"	72"	48 sq. ft.	7.01 sq. ft.
2"	2210/2215	Extr. Alum.*	0.062"	Straight	30°	2"	6"	72"	48 sq. ft.	8.51 sq. ft.
4"	2420/2425	Extr. Alum.*	0.081"	Stormproof	45°	4 7/8"	12"	120"	60 sq. ft.	8.00 sq. ft.
4"	2430/2435	Extr. Alum.*	0.081"	Drainable	35°	3 1/2"	12"	120"	60 sq. ft.	9.06 sq. ft.
4"	2410/2415	Extr. Alum.*	0.081"	Straight	35°	3 1/2"	12"	120"	60 sq. ft.	8.92 sq. ft.
4"	2440/2445	Extr. Alum.*	0.062"	Chevron	45°	3"	12"	72"	48 sq. ft.	7.22 sq. ft.
4"	2420-OP 2425-OP	Extr. Alum.	0.081"	Operable	45°	6 1/8"	16"	60"	24 sq. ft.	6.83 sq. ft.
4"	2450/2455	Extr. Alum.*	0.081"	Straight	35°	3 1/2"	12"	120"	60 sq. ft.	8.92 sq. ft.
4"	2460/2465	Extr. Alum.*	0.081"	Stormproof	45°	4 7/8"	12"	120"	60 sq. ft.	8.00 sq. ft.
5"	2590	Extr. Alum.	0.065"	Wind/Rain	40°	2.75"	12"	60"	60 sq. ft.	7.51 sq. ft.
6"	2620/2625	Extr. Alum.*	0.081"	Stormproof	45°	7 1/4"	16"	72"	72 sq. ft.	8.06 sq. ft.
6"	2630/2635	Extr. Alum.*	0.081"	Drainable	40°	4 5/8"	16"	72"	72 sq. ft.	8.30 sq. ft.
6"	2670-CLD	Extr. Alum.	0.081"	Combination	40°	3.75"	12"	60"	30 sq. ft.	8.00 sq. ft.

\* Available in formed steel and stainless steel construction.

**ACOUSTIC LOUVERS**

Depth	Model	Material	Blade Thickness	Blade Type	Blade Angle	Blade Centre	Min. Height	Max. Panel Width	Max. Panel Size	Free Area Unit Size 48" x 48"
6"	ACL600	Extr. Alum.*	0.090"	Acoustic Stormproof	45°	6"	16"	60"	50 sq. ft.	4.40 sq. ft.
6"	ACL600F	Formed Alum.*	0.063"	Acoustic Airfoil	45°	6"	16"	60"	50 sq. ft.	6.01 sq. ft.
8"	ACL800	Formed Alum.*	0.063"	Acoustic Straight	45°	8"	16"	60"	50 sq. ft.	4.24 sq. ft.
8"	ACL800F	Formed Alum.*	0.063"	Acoustic Airfoil	45°	8"	16"	60"	50 sq. ft.	5.21 sq. ft.
12"	ACL1200	Formed Alum.*	0.063"	Acoustic Straight	45°	12"	24"	60"	50 sq. ft.	3.94 sq. ft.
12"	ACL1200F	Formed Alum.*	0.063"	Acoustic Airfoil	45°	12"	24"	60"	50 sq. ft.	5.10 sq. ft.
12"	ACL1200V	Formed Alum.*	0.063"	Acoustic Chevron	45°	12"	24"	60"	50 sq. ft.	5.41 sq. ft.

\* Available in formed steel and stainless steel construction.

**DAMPERS**

Model	Material	Thickness	Blade Type	Blade Centre	Min. Height	Maximum Single Panel Width	Maximum Double Panel Width
1200	Extr. Alum.	0.062"	Gravity Blades	3 3/4"	9"	40"	60"
1300	Extr. Alum.	0.062"	Motor Control	3 3/4"	8"	40"	60"
1100	Rolled Alum.	0.062" & 0.032"	Gravity Blades	3 3/4"	9"	35"	60"

## FREE AREA

Free area is the unobstructed area of a louver through which air can pass freely. The free area of a louver is one of the most important considerations when sizing a louver. The free area and total volume of air will determine the velocity of air through the louver. The free area velocity determines the size of the louver based on design constraints such as static pressure drop and water penetration.

### The free area of a louver is calculated by the following formula:

$$\text{Free Area (In sq. ft.)} = \text{MD} [A+B+(N \times C)] / 144$$

Where:

MD = Minimum distance between the louver jambs.

A = Distance between the head and the top louver blade.

B = Distance between the sill and the bottom louver blade.

N = Number of openings between the louver blades.

C = Minimum space between the louver blades.

Percentage Free Area:

$$\text{MD} [A+B+(N \times C)] / W \times H$$

Where:

W = Actual louver width.

H = Actual louver height.

## SIZING LOUVERS

To choose the correct size louver, please use the following steps:

- Determine which louver would be best suited for the application.
- Determine the total volume of air (Cubic Feet per Minute or CFM) that will pass through the louver.
- Determine the most important design criteria, by choosing from a, b or c:

**a)** Not to allow water to penetrate through the louver. If water penetration is the most important design criteria, then use a velocity less than that shown on the water penetration chart.

**b)** Not to exceed a certain static pressure drop. If static pressure drop is the most important design criteria, then use a velocity equal to that shown on the pressure drop chart.

**c)** If both are equally important, use the lower of the two velocities.

- To determine the total free area required, divide the volume of air (CFM) by the velocity through the free area (FPM) .
- Match the free area required to the free area chart of the chosen louver. This will determine the overall dimensions of the louver required.

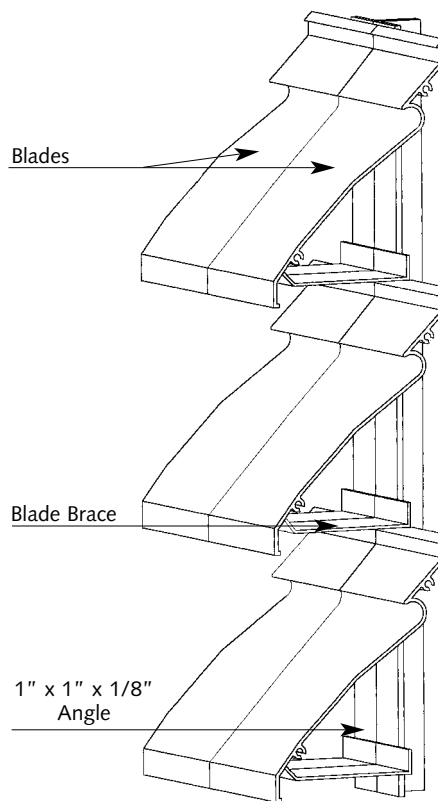
For example: A louver must allow 9300 CFM to pass through it without any water penetration and the plan calls for a 4" stormproof louver. From the water penetration chart of model 2420, the velocity should be 600 FPM. As a result, the free area required is 15.5 sq. ft. and the louver size can be found using the free area chart as 64" x 64".

## DRAINABLE LOUVERS

Drainable louvers are designed to collect the water that flows down over the louver's face and disperse the water through spouts in the jambs of the louver. Drainable louvers are effective only when the blades and drainage spouts are free of debris. They should be checked regularly and cleaned when necessary, to ensure they continue to perform well. Drainable louvers should **NOT** be specified as continuous line louvers. The design of the louver system requires that the collected water be dispersed away from the face of the louver. By eliminating the visible mullions on a large span of drainable louvers, the water could possibly overflow the gutters and cascade down the face of the louver and fail. Ventex recommends using drainable louvers only in applications where the louver size is restricted, or there is a large volume of air passing through the louver.

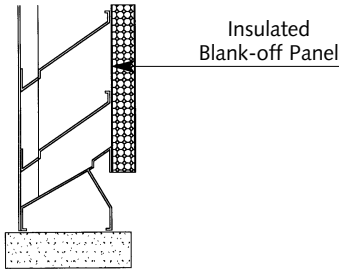
## AVAILABLE ACCESSORIES

- 1/2" x 1/2" inter-crimped 14 gauge (.063") aluminum bird screen.
- 1/4" x 1/4" inter-crimped 14 gauge (.063") aluminum bird-screen.
- Insect screen 16" x 18" aluminum mesh.
- 1/2" x 1/2" galvanized birdscreen in a removable frame.
- Continuous blade construction with hidden mullions to give an uninterrupted appearance. Continuous line construction is available for the stormproof and straight blade (exhaust) louvers. It is not recommended for use on drainable louvers.



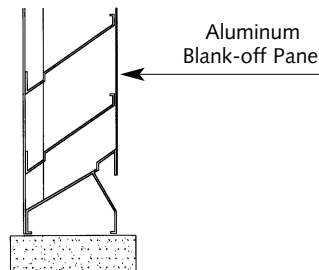
Typical Continuous Line Construction

- Blank-off single sheet panels are available in both aluminum 16 gauge (.05") or steel 20 gauge (0.039").
- 1" or 2" insulated blank-off panels are available in both aluminum 16 gauge (.05") or steel 20 gauge (0.039") with styrofoam insulation.



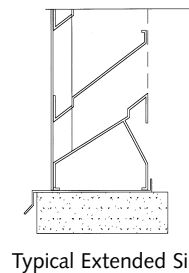
equipment behind the louver. The louver door may be built into the louver so that the door is hidden from view.

- Ventex manufactures louvers in many custom geometric shapes. Please refer to the specialty geometric shapes submittal drawing for samples of available shapes.
- 1/2" diameter steel bars mounted on 6" centres are available painted or primed for painting by others. The steel frames are 2" deep by 1/4" thick.
- Custom sill lengths and shapes are available. Depth of sill will vary by louver selection.



- Extended sleeves are available for all of our louvers, dampers and brick vents.
- Filter racks, disposable filters and washable and replaceable media filters are available in 1" and 2" deep filters.

If you require an item or filter not shown here, please contact your Ventex representative. We will assist you in designing a louver or a feature that meets the requirements of your design.



- All welded construction is available when required.
- Hinged louver access doors are available for applications that require access to the room or

## AVAILABLE FINISHES

### SUPERDURABLE® POLYESTER POWDER COAT FINISH

Ventex louvers and penthouses are available in 20 standard paint colours as well as custom colour matches to complement any building's exterior. All Ventex Superdurable® polyester powder coat paints meet or exceed AAMA 2604 performance criteria and specifications for colour and gloss retention, chalking and corrosion resistance, as well as hardness and impact testing. Our in-house powder coat system is state-of-the-art and provides an extraordinarily scratch and fade resistant finished surface that exhibits superior weathering ability. The environmentally friendly process produces Zero-VOC emissions. For standard Superdurable® paint colours refer to the Ventex Standard Colour Chart.

### DURANAR®/DURANAR XL® FINISH

Ventex louvers and penthouses are also available with Duranar® and Duranar XL® premium fluoropolymer paint finishes that meet AAMA 2605 specification and performance requirements. Colours can be selected from the Duranar Colour Guide® (available from Ventex) or can be custom matched for any special application.

### CLEAR ANODIZED FINISH

Clear anodized finish is a controlled electrochemical process which rapidly increases the thickness and density of aluminum's oxide coating. The process makes the external clear coat of the aluminum extremely hard and scratch resistant. The clear anodized finish requires very little, if any, maintenance.

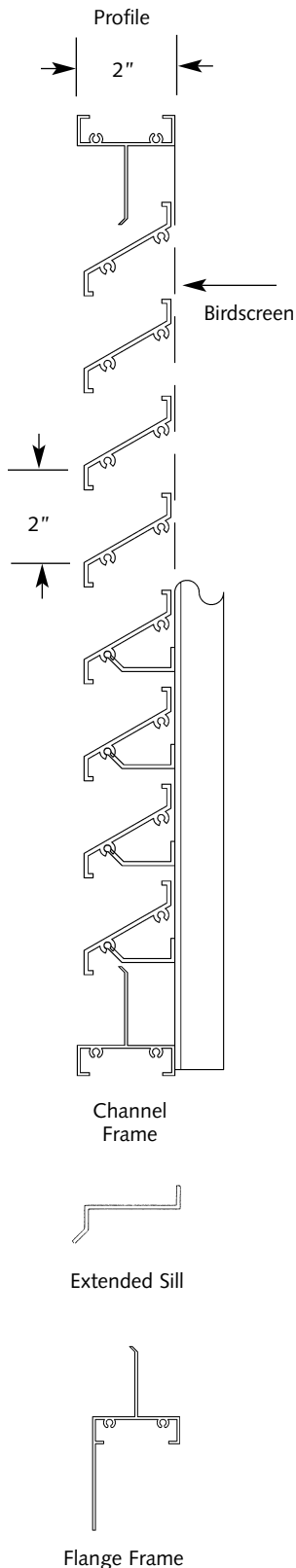
### COLOUR ANODIZED FINISH

Colour anodized finishes are produced by immersing clear anodized material into a coloured, metallic compound and electrolyte solution. The colour penetrates the pores of the oxide coating, giving the material its colour.

Colours available: Light Bronze, Medium Bronze, Dark Bronze, Black.

The Ventex 2210/2215 louver is a two inch (51 mm) deep, straight blade exhaust louver, with a high free area. The 2210 is normally used as an exhaust louver for applications where the total CFM is relatively low or the louver height is restricted.

## STANDARD CONSTRUCTION



Depth	2" (51 mm)
Material	Extruded 6063-T5 Aluminum
Frame Thickness	0.062" (1.57 mm)
Frame Styles	Model 2210 Channel Frame Model 2215 Flange Frame 1 1/2" Flange Frame
Blade Thickness	0.062" (1.57 mm)
Blade Angle	30°
Blade Centres	2" (51 mm) blade centres
Standard Birdscreen	1/2" x 1/2", re-galvanized, 19 gauge
Minimum Height	6" (152 mm)
Maximum Panel Height	72" (1829 mm)
Maximum Panel Width	72" (1829 mm)
Available Finishes	Mill Finish, Polyester Powder Coat Finish, Clear or Coloured Anodized Finish
Free Area (48" x 48" Unit)	8.51 sq. ft. (0.79 m <sup>2</sup> )

## ACCESSORIES

- 1/2" x 1/2" or 1/4" x 1/4" inter-crimped aluminum birdscreen
- Insect screen
- Continuous blade construction with hidden mullions to give an uninterrupted appearance
- Non-insulated blank-off panels
- 1" or 2" insulated blank-off panels
- All welded construction
- Hinged access doors
- Custom geometric shapes
- Security bars
- Extended sills
- Extended sleeves
- Filter racks



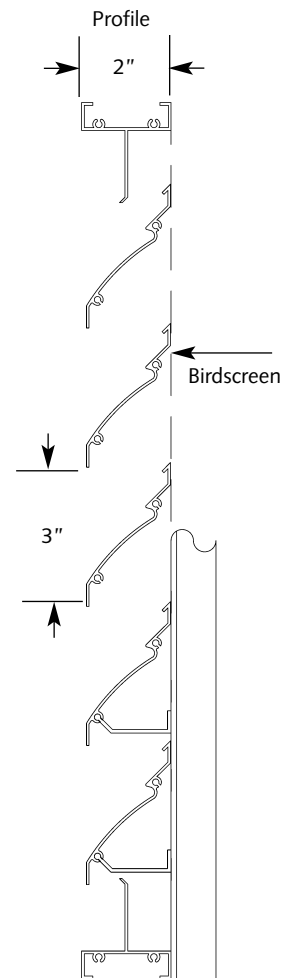
## 2220 AND 2225 STORMPROOF LOUVERS



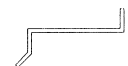
The Ventex 2220/2225 louver is a two inch (51 mm) deep stormproof louver. Its design provides protection from water penetration. The 2220/2225 should be used when a four inch louver is impractical, such as when reduced louver height or depth is necessary.

### STANDARD CONSTRUCTION

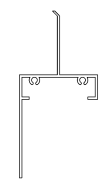
Depth	2" (51 mm)
Material	Extruded 6063-T5 Aluminum
Frame Thickness	0.062" (1.57 mm)
Frame Styles	Model 2220 Channel Frame Model 2225 Flange Frame, 1 1/2" Flange Frame
Blade Thickness	0.062" (1.57 mm)
Blade Angle	45°
Blade Centres	3" (76 mm)
Standard Birdscreen	1/2" x 1/2", re-galvanized, 19 gauge
Minimum Height	6" (152 mm)
Maximum Panel Height	72" (1829 mm)
Maximum Panel Width	72" (1829 mm)
Available Finishes	Mill Finish, Polyester Powder Coat Finish, Clear or Coloured Anodized Finish
Free Area (48" x 48" Unit)	7.01 sq. ft. (0.65 m <sup>2</sup> )



Channel Frame



Extended Sill



Flange Frame

### ACCESSORIES

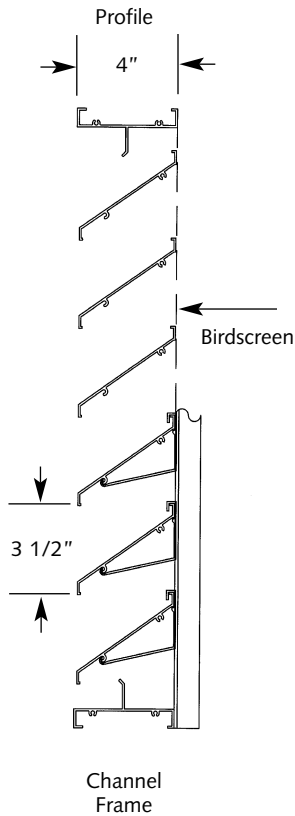
- 1/2" x 1/2" or 1/4" x 1/4" inter-crimped aluminum birdscreen
- Insect screen
- Continuous blade construction with hidden mullions to give an uninterrupted appearance
- Non-insulated blank-off panels
- 1" or 2" insulated blank-off panels
- All welded construction
- Hinged access doors
- Custom geometric shapes
- Security bars
- Extended sills
- Extended sleeves
- Filter racks



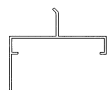


## HI PRO 2410 AND 2415 EXHAUST LOUVERS

The Ventex 2410/2415 louver is a four inch (102 mm) deep extruded aluminum, stationary exhaust louver. The 2410 design provides an extremely high free area. The benefit of this is that the louver can exhaust a high volume of air with little static pressure. Model 2410's clean design, continuous line construction and available blank-off panels make it ideal for architectural applications.



Channel Frame



Flange Frame



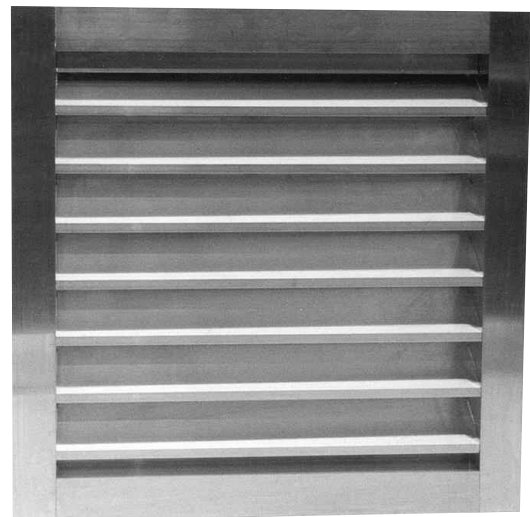
Extended Sill

### STANDARD CONSTRUCTION

Depth	4" (102 mm)
Material	Extruded 6063-T5 Aluminum
Frame Thickness	0.081" (2.06 mm)
Frame Styles	Model 2410 Channel Frame Model 2415 Flange Frame, 1 1/2" Flange Frame
Blade Thickness	0.081" (2.06 mm)
Blade Angle	35°
Blade Centres	3 1/2" (89 mm)
Standard Birdscreen	1/2" x 1/2", re-galvanized, 19 gauge
Minimum Height	12" (305 mm)
Maximum Panel Height	120" (3048 mm)
Maximum Panel Width	120" (3048 mm)
Maximum Panel Size	60 sq. ft. (5.58 m <sup>2</sup> )
Available Finishes	Mill Finish, Polyester Powder Coat Finish, Clear or Coloured Anodized Finish
Free Area (48" x 48" Unit)	8.92 sq. ft. (0.83 m <sup>2</sup> )

### ACCESSORIES

- 1/2" x 1/2" or 1/4" x 1/4" inter-crimped aluminum birdscreen
- Insect screen
- Continuous blade construction with hidden mullions to give an uninterrupted appearance
- Non-insulated blank-off panels
- 1" or 2" insulated blank-off panels
- All welded construction
- Hinged access doors
- Custom geometric shapes
- Security bars
- Extended sills
- Extended sleeves
- Filter racks





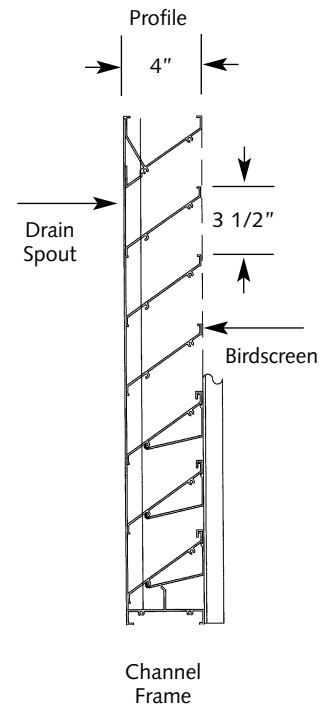
# HI PRO 2450 AND 2455 HIGH PERFORMANCE LOUVERS



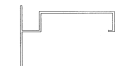
The Ventex 2450/2455 louver is the newly designed extruded aluminum, stationary, four inch (102 mm) deep high performance louver. The 2450 is a hybrid louver, combining the protection of a drainable louver system with the clean lines of an architectural style louver. This combination gives the 2450 superior performance over architectural type louvers.

## STANDARD CONSTRUCTION

Depth	4" (102 mm)
Material	Extruded 6063-T5 Aluminum
Frame Thickness	0.081" (2.06 mm)
Frame Styles	Model 2450 Channel Frame Model 2455 Flange Frame, 1 1/2" Flange Frame
Blade Thickness	0.081" (2.06 mm)
Blade Angle	35°
Blade Centres	3 1/2" (76.2 mm)
Standard Birdscreen	1/2" x 1/2", re-galvanized, 19 gauge
Minimum Height	12" (305 mm)
Maximum Panel Height	120" (3048 mm)
Maximum Panel Width	120" (3048 mm)
Maximum Panel Size	60 sq. ft. (5.58m)
Available Finishes	Mill Finish, Polyester Powder Coat Finish, Clear or Coloured Anodized Finish
Free Area (48" x 48" Unit)	8.92 sq. ft. (0.83 m <sup>2</sup> )



Extended Sill



Flange Frame

## ACCESSORIES

- 1/2" x 1/2" or 1/4" x 1/4" inter-crimped aluminum birdscreen
- Some geometric shapes available; consult your Ventex representative
- Non-insulated blank-off panels
- 1" or 2" insulated blank-off panels
- All welded construction
- Hinged access doors
- Security bars
- Extended sills
- Extended sleeves
- Filter racks



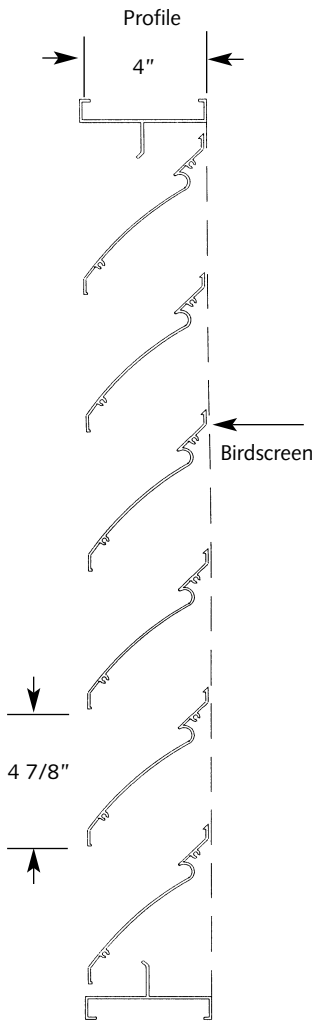


# HI PRO 2420 AND 2425 STORMPROOF LOUVERS

The Ventex 2420/2425 louver incorporates a newly engineered stormproof blade, designed to maximize the free area of the louver. The new design increases the free area of the four inch louver by nearly 30%. The 2420 is the most versatile louver Ventex manufactures. It is available in a large variety of custom geometric shapes. With its long list of accessories, the 2420 can be custom made to fit almost any application.

## STANDARD CONSTRUCTION

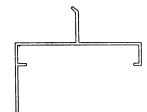
Depth	4" (102 mm)
Material	Extruded 6063-T5 Aluminum
Frame Thickness	0.081" (2.06 mm)
Frame Styles	Model 2420 Channel Frame Model 2425 Flange Frame, 1 1/2" Flange Frame
Blade Thickness	0.081" (2.06 mm)
Blade Angle	45°
Blade Centres	4 7/8" (124 mm)
Standard Birdscreen	1/2" x 1/2", re-galvanized, 19 gauge
Minimum Height	12" (305 mm)
Maximum Panel Height	120" (3048 mm)
Maximum Panel Width	120" (3048 mm)
Maximum Panel Size	60 sq. ft. (5.58 m <sup>2</sup> )
Available Finishes	Mill Finish, Polyester Powder Coat Finish, Clear or Coloured Anodized Finish
Free Area (48" x 48" Unit)	8.0 sq. ft. (0.74 m <sup>2</sup> )



Channel Frame



Extended Sill



Flange Frame

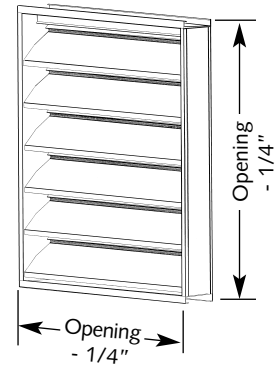
## ACCESSORIES

- 1/2" x 1/2" or 1/4" x 1/4" inter-crimped aluminum birdscreen
- Insect screen
- Continuous blade construction with hidden mullions to give an uninterrupted appearance
- Non-insulated blank-off panels
- 1" or 2" insulated blank-off panels
- All welded construction
- Hinged access doors
- Custom geometric shapes
- Security bars
- Extended sills
- Extended sleeves
- Filter racks
- Monumental Construction Heavy Gauge Blades and Frame



## FREE AREA (SQ. FT.)

		WIDTH IN INCHES															
		12	16	20	24	28	32	36	40	44	48	52	56	60	64	68	72
H E I G H T  I N C H E S	12	0.24	0.33	0.42	0.51	0.60	0.69	0.78	0.87	0.96	1.05	1.14	1.23	1.32	1.41	1.50	1.59
	16	0.42	0.58	0.74	0.90	1.06	1.21	1.37	1.53	1.69	1.85	2.01	2.17	2.33	2.49	2.65	2.81
	20	0.59	0.81	1.04	1.26	1.48	1.71	1.93	2.16	2.38	2.61	2.83	3.05	3.28	3.50	3.73	3.95
	24	0.76	1.06	1.35	1.64	1.93	2.22	2.51	2.80	3.09	3.39	3.68	3.97	4.26	4.55	4.84	5.13
	28	0.93	1.29	1.64	2.00	2.36	2.71	3.07	3.42	3.78	4.13	4.49	4.85	5.20	5.56	5.91	6.27
	32	1.09	1.50	1.92	2.33	2.75	3.16	3.58	3.99	4.41	4.82	5.24	5.65	6.07	6.48	6.90	7.31
	36	1.25	1.73	2.20	2.68	3.15	3.63	4.11	4.58	5.06	5.53	6.01	6.49	6.96	7.44	7.91	8.39
	40	1.44	1.99	2.54	3.09	3.64	4.19	4.74	5.29	5.84	6.39	6.94	7.49	8.04	8.59	9.14	9.69
	44	1.61	2.22	2.84	3.45	4.06	4.67	5.29	5.90	6.51	7.13	7.74	8.35	8.97	9.58	10.19	10.80
	48	2.00	2.67	3.33	4.01	4.67	5.33	6.02	6.67	7.33	8.00	8.67	9.33	10.01	10.67	11.34	12.03
	52	1.95	2.70	3.44	4.19	4.93	5.68	6.42	7.17	7.91	8.66	9.40	10.15	10.89	11.64	12.38	13.12
	56	2.11	2.92	3.72	4.53	5.33	6.13	6.94	7.74	8.55	9.35	10.16	10.96	11.77	12.57	13.38	14.18
	60	2.29	3.16	4.04	4.91	5.78	6.65	7.53	8.40	9.27	10.15	11.02	11.89	12.76	13.64	14.51	15.38
	64	2.46	3.40	4.34	5.27	6.21	7.15	8.09	9.02	9.96	10.90	11.84	12.77	13.71	14.65	15.59	16.52
	68	2.64	3.64	4.64	5.65	6.65	7.66	8.66	9.66	10.67	11.67	12.68	13.68	14.68	15.69	16.69	17.70
	72	2.81	3.88	4.95	6.02	7.09	8.16	9.23	10.30	11.37	12.44	13.51	14.58	15.65	16.72	17.79	18.86
76	2.96	4.09	5.22	6.35	7.48	8.61	9.74	10.87	12.00	13.13	14.26	15.39	16.51	17.64	18.77	19.90	
80	3.12	4.31	5.50	6.69	7.88	9.07	10.26	11.45	12.63	13.82	15.01	16.20	17.39	18.58	19.77	20.96	
84	3.31	4.57	5.83	7.09	8.35	9.61	10.87	12.13	13.39	14.65	15.91	17.17	18.43	19.69	20.95	22.21	
88	3.48	4.81	6.13	7.46	8.78	10.11	11.43	12.76	14.09	15.41	16.74	18.06	19.39	20.71	22.04	23.37	
92	3.66	5.05	6.45	7.84	9.24	10.63	12.03	13.42	14.81	16.21	17.60	19.00	20.39	21.78	23.18	24.57	
96	3.83	5.29	6.75	8.21	9.67	11.13	12.58	14.04	15.50	16.96	18.42	19.88	21.34	22.80	24.26	25.72	
100	3.99	5.51	7.03	8.54	10.06	11.58	13.10	14.62	16.14	17.66	19.18	20.70	22.22	23.73	25.25	26.77	
104	4.16	5.75	7.34	8.92	10.51	12.09	13.68	15.27	16.85	18.44	20.02	21.61	23.20	24.78	26.37	27.96	
108	4.33	5.98	7.64	9.29	10.94	12.59	14.24	15.89	17.54	19.19	20.84	22.49	24.14	25.79	27.45	29.10	
112	4.51	6.22	7.94	9.66	11.38	13.09	14.81	16.53	18.25	19.96	21.68	23.40	25.11	26.83	28.55	30.27	
116	4.69	6.48	8.27	10.06	11.84	13.63	15.42	17.21	18.99	20.78	22.57	24.36	26.14	27.93	29.72	31.51	
120	4.84	6.68	8.53	10.37	12.21	14.06	15.90	17.74	19.59	21.43	23.28	25.12	26.96	28.81	30.65	32.49	



## RECOMMENDED SPECIFICATION 2420 and 2425

Furnish and install stationary louver models 2420/2425 as manufactured by Ventex Inc, Bolton Ontario. Louvers must be licensed to bear the AMCA seal. Louvers shall be 4" (102 mm) deep. Blades shall be 0.085" (2.16 mm) and frame shall be 0.085" (2.16 mm) extruded aluminum, alloy 6063-T5. Louvers shall have a 19 gauge galvanized birdscreen.

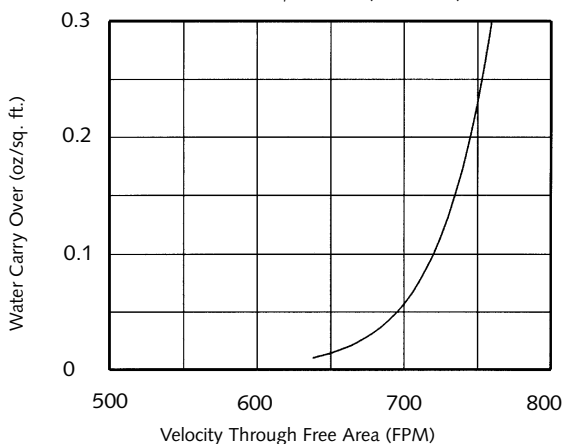
All materials shall be factory finished after assembly with Polyester Powder Coat Paint in a colour selected from the Ventex Colour Chart. The louver manufacturer shall submit test data on a 48" x 48" unit showing that the louver conforms to the data on this page.

## CERTIFIED RATINGS

Ventex certifies that the 2420/2425 louver shown here is licensed to bear the AMCA seal. The ratings shown are based on tests and procedures performed in accordance with AMCA Publication 511 and comply with the requirements of the AMCA Certified Ratings Program. The Certified Ratings Seal applies to air performance and water penetration ratings.

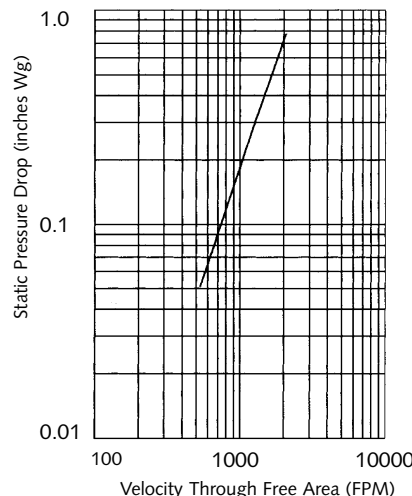


**2420 - 2425 Stormproof Water Penetration**  
15 Minute Duration, Test Size (48" x 48")



Beginning point of water penetration at 0.01 oz/sq. ft. is 638 FPM

**Pressure Drop - Intake**

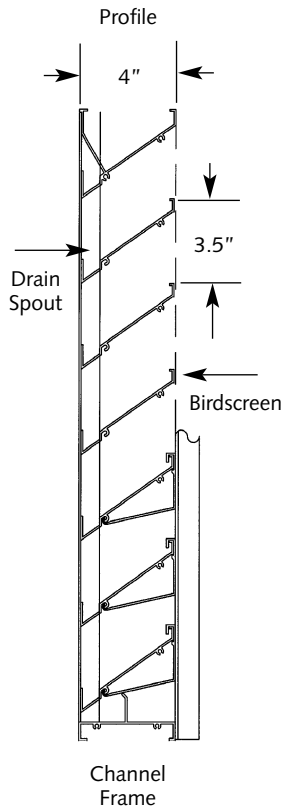


Test results do not include the effects of birdscreen.



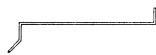
# HI PRO 2430 AND 2435 DRAINABLE LOUVERS

The Ventex 2430/2435 louver is the newly designed extruded aluminum, stationary, four inch (102 mm) deep drainable louver. The 2430 free area is one of the highest available for a four inch deep louver. The specially designed head and large drainage spouts in the jamb are highly effective at collecting water and dispersing it away from the face of the louver, thus eliminating potential water penetration. The 2430 is best suited for intake applications in which the louver size is very restricted or applications which handle a large volume of air.

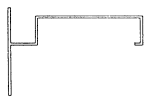


## STANDARD CONSTRUCTION

Depth	4" (102 mm)
Material	Extruded 6063-T5 Aluminum
Frame Thickness	0.081" (2.06 mm)
Frame Styles	Model 2430 Channel Frame Model 2435 Flange Frame, 1 1/2" Flange Frame
Blade Thickness	0.081" (2.06 mm)
Blade Angle	35°
Blade Centres	3 1/2" (89 mm)
Standard Birdscreen	1/2" x 1/2", re-galvanized, 19 gauge
Minimum Height	12" (305 mm)
Maximum Panel Height	120" (3048 mm)
Maximum Panel Width	120" (3048 mm)
Maximum Panel Size	60 sq. ft. (5.58 m <sup>2</sup> )
Available Finishes	Mill Finish, Polyester Powder Coat Finish, Clear or Coloured Anodized Finish
Free Area (48" x 48" Unit)	9.06 sq. ft. (0.84 m <sup>2</sup> )



Extended Sill



Flange Frame

## ACCESSORIES

- 1/2" x 1/2" or 1/4" x 1/4" inter-crimped aluminum birdscreen
- Some geometric shapes available; consult your Ventex representative
- Insect screen
- Non-insulated blank-off panels
- 1" or 2" insulated blank-off panels
- All welded construction
- Hinged access doors
- Security bars
- Extended sills
- Extended sleeves
- Filter racks



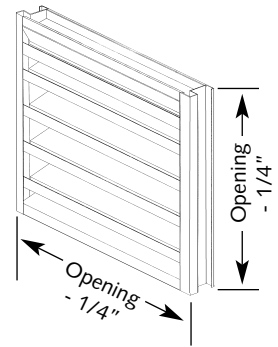
See note on page 4 when sizing drainable louvers.

# HI PRO 2430 AND 2435 DRAINABLE LOUVERS



## FREE AREA (SQ. FT.)

		WIDTH IN INCHES															
		12	16	20	24	28	32	36	40	44	48	52	56	60	64	68	72
H E I G H T  I N C H E S	12	0.32	0.45	0.58	0.72	0.85	0.98	1.11	1.24	1.38	1.51	1.64	1.77	1.90	2.03	2.17	2.30
	16	0.51	0.72	0.93	1.14	1.35	1.55	1.76	1.97	2.18	2.39	2.60	2.81	3.02	3.23	3.44	3.64
	20	0.70	0.98	1.27	1.56	1.84	2.13	2.42	2.70	2.99	3.28	3.56	3.85	4.14	4.42	4.71	4.99
	24	0.89	1.25	1.61	1.98	2.34	2.70	3.07	3.43	3.80	4.16	4.52	4.89	5.25	5.61	5.98	6.34
	28	1.07	1.52	1.96	2.40	2.84	3.28	3.72	4.16	4.60	5.04	5.48	5.92	6.37	6.81	7.25	7.69
	32	1.22	1.72	2.22	2.72	3.21	3.71	4.21	4.71	5.21	5.71	6.21	6.71	7.21	7.71	8.21	8.71
	36	1.41	1.98	2.56	3.14	3.71	4.29	4.87	5.44	6.02	6.60	7.17	7.75	8.33	8.90	9.48	10.06
	40	1.59	2.25	2.90	3.56	4.21	4.86	5.52	6.17	6.83	7.48	8.13	8.79	9.44	10.09	10.75	11.40
	44	1.78	2.51	3.24	3.98	4.71	5.44	6.17	6.90	7.63	8.36	9.09	9.83	10.56	11.29	12.02	12.75
	48	1.97	2.72	3.52	4.31	5.10	5.89	6.69	7.48	8.27	9.06	9.86	10.65	11.44	12.23	13.03	13.82
	52	2.12	3.00	3.87	4.74	5.61	6.48	7.35	8.23	9.10	9.97	10.84	11.71	12.58	13.46	14.33	15.20
	56	2.34	3.31	4.27	5.23	6.19	7.15	8.11	9.07	10.04	11.00	11.96	12.92	13.88	14.84	15.81	16.77
	60	2.49	3.51	4.53	5.55	6.58	7.60	8.62	9.64	10.66	11.68	12.71	13.73	14.75	15.77	16.79	17.81
	64	2.68	3.78	4.88	5.97	7.07	8.17	9.27	10.37	11.47	12.57	13.67	14.76	15.86	16.96	18.06	19.16
	68	2.87	4.04	5.22	6.40	7.57	8.75	9.92	11.10	12.28	13.45	14.63	15.80	16.98	18.16	19.33	20.51
	72	3.06	4.31	5.56	6.82	8.07	9.32	10.58	11.83	13.08	14.34	15.59	16.84	18.10	19.35	20.60	21.86
76	3.24	4.57	5.91	7.24	8.57	9.90	11.23	12.56	13.89	15.22	16.55	17.88	19.21	20.54	21.87	23.20	
80	3.43	4.84	6.25	7.66	9.07	10.48	11.88	13.29	14.70	16.11	17.52	18.93	20.34	21.74	23.15	24.56	
84	3.57	5.04	6.51	7.97	9.44	10.91	12.37	13.84	15.31	16.77	18.24	19.71	21.17	22.64	24.11	25.57	
88	3.76	5.31	6.85	8.39	9.94	11.48	13.03	14.57	16.11	17.66	19.20	20.74	22.29	23.83	25.38	26.92	
92	3.95	5.57	7.19	8.81	10.44	12.06	13.68	15.30	16.92	18.54	20.16	21.78	23.40	25.03	26.65	28.27	
96	4.14	5.84	7.54	9.23	10.93	12.63	14.33	16.03	17.73	19.42	21.12	22.82	24.52	26.22	27.92	29.61	
100	4.33	6.10	7.88	9.66	11.43	13.21	14.98	16.76	18.53	20.31	22.09	23.86	25.64	27.41	29.19	30.96	
104	4.52	6.37	8.22	10.08	11.93	13.78	15.64	17.49	19.34	21.20	23.05	24.90	26.76	28.61	30.46	32.32	
108	4.71	6.64	8.57	10.50	12.43	14.36	16.29	18.22	20.15	22.08	24.01	25.94	27.87	29.80	31.73	33.66	
112	5.08	7.17	9.25	11.34	13.42	15.51	17.59	19.68	21.76	23.85	25.93	28.02	30.10	32.19	34.27	36.35	
116	5.04	7.10	9.17	11.23	13.30	15.37	17.43	19.50	21.56	23.63	25.70	27.76	29.83	31.89	33.96	36.03	
120	5.17	7.29	9.41	11.53	13.65	15.77	17.89	20.01	22.13	24.25	26.37	28.49	30.61	32.73	34.85	36.97	



### RECOMMENDED SPECIFICATION 2430 and 2435

Furnish and install stationary louver models 2430/2435 as manufactured by Ventex Inc, Bolton Ontario. Louvers must be licensed to bear the AMCA seal. Louvers shall be 4" (102 mm) deep. Blades shall be 0.081" (2.06 mm) and frame shall be 0.081" (2.06 mm) extruded aluminum, alloy 6063-T5. Louvers shall have a 19 gauge galvanized birdscreen.

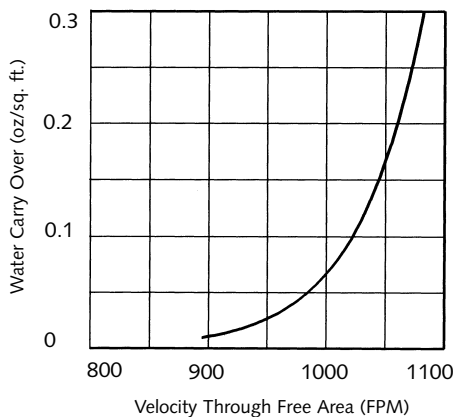
All materials shall be factory finished after assembly with Polyester Powder Coat Paint in a colour selected from the Ventex Colour Chart. The louver manufacturer shall submit test data on a 48" x 48" unit showing that the louver conforms to the data on this page.

## CERTIFIED RATINGS

Ventex certifies that the 2430/2435 louver shown here is licensed to bear the AMCA seal. The ratings shown are based on tests and procedures performed in accordance with AMCA Publication 511 and comply with the requirements of the AMCA Certified Ratings Program. The Certified Ratings Seal applies to air performance and water penetration ratings.

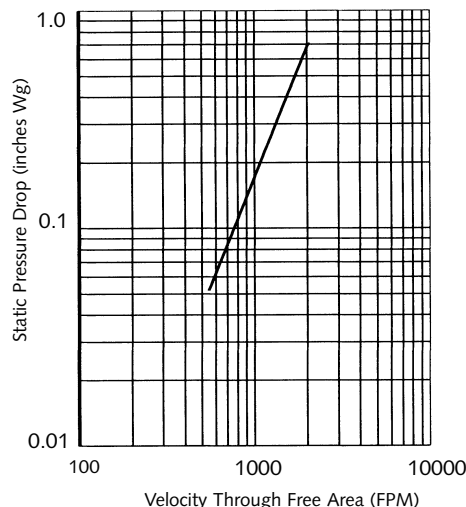


**2430 - 2435 Drainable Water Penetration**  
15 Minute Duration, Test Size (48" x 48")



Beginning point of water penetration at 0.01 oz/sq. ft. is 896 FPM

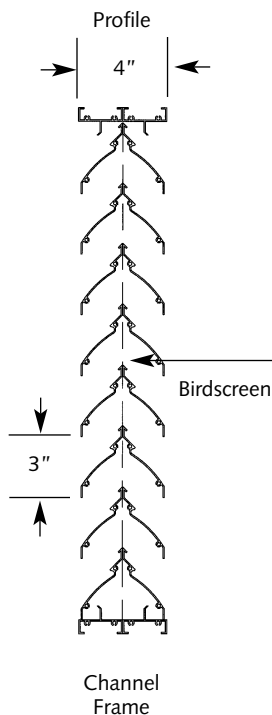
**Pressure Drop - Intake**



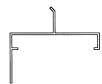
Test results do not include the effects of birdscreen.

**HIGHEST FREE AREA**

The Ventex 2440/2445 is a four inch (102 mm) transformer vault louver. The chevron blade design provides the security necessary for a high-risk application. The principle application of the louver is to prevent damage to the equipment by hindering vandals from inserting objects into the transformer vault. The 2440 can also be used when a sight proof louver is required.



Extended Sill



Flange Frame

## STANDARD CONSTRUCTION

Depth	4" (102 mm)
Material	Extruded 6063-T5 Aluminum
Frame Thickness	0.062" (1.57 mm)
Frame Styles	Model 2440 Channel Frame Model 2445 Flange Frame, 1 1/2" Flange Frame
Blade Thickness	0.062" (1.57 mm)
Blade Angle	45°
Blade Centres	3" (76 mm)
Standard Birdscreen	1/2" x 1/2", re-galvanized, 19 gauge
Minimum Height	12" (305 mm)
Maximum Panel Height	96" (2438 mm)
Maximum Panel Width	72" (1829 mm)
Available Finishes	Mill Finish, Polyester Powder Coat Finish, Clear or Coloured Anodized Finish
Free Area (48" x 48" Unit)	7.22 sq. ft. (0.67 m <sup>2</sup> )

## ACCESSORIES

- 1/2" x 1/2" or 1/4" x 1/4" inter-crimped aluminum birdscreen
- Insect screen
- Non-insulated blank-off panels
- 1" or 2" insulated blank-off panels
- All welded construction
- Security bars
- Extended sills
- Extended sleeves



## MODEL 2590 WIND-DRIVEN RAIN LOUVER



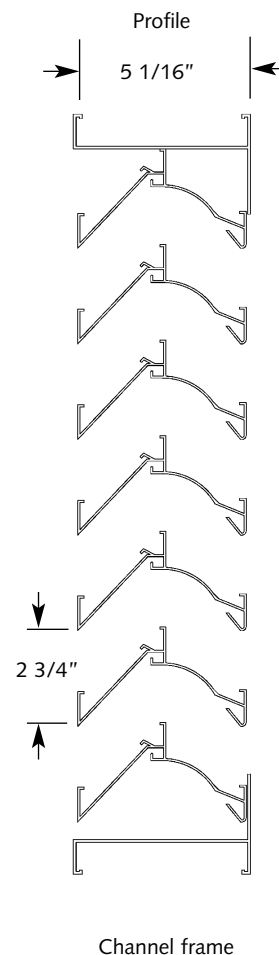
Introducing the next generation of rain resistant louvers, the new 2590 wind-driven rain louver. This advanced design utilizes centrifugal forces to capture water droplets as the air passes over the sight-proof, drainable blades.

The design will improve the weather tightness of the building envelope, while maintaining effective air flow performance required by the ventilation system.

Please contact Ventex for more information on this new design.

### STANDARD CONSTRUCTION

Depth	5 1/16" (129 mm)
Material	Extruded 6063-T5 Aluminum
Frame Thickness	0.081" (2.06 mm)
Frame Styles	Channel Frame Only
Blade Thickness	0.063 (1.6 mm)
Blade Angle	35°
Blade Centres	2 3/4" (70 mm)
Minimum Height	12" (305 mm)
Maximum Panel Height	120" (3048 mm)
Maximum Panel Width	60" (1524 mm)
Available Finishes	Mill Finish, Polyester Powder Coat Finish, Clear or Coloured Anodized Finish
Free Area (48" x 48")	7.51 sq. ft. (0.70 m <sup>2</sup> )

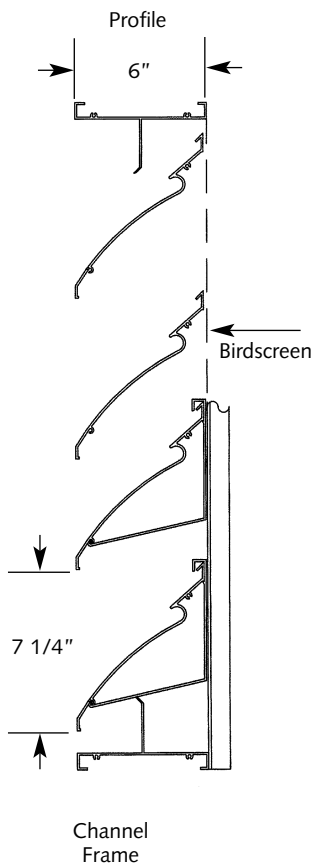


### ADDITIONAL ACCESSORIES

- 1/2" x 1/2" inter-crimped aluminum birdscreen
- Insect screen
- Insulated and Non-insulated blank off panels
- All welded construction
- Hinged access doors
- Security bars
- Extended sills
- Extended Sleeves
- Filter Racks



The Ventex 2620/2625 louver is the extruded aluminum, stationary, six-inch (152 mm) deep stormproof louver. The 2620 design provides protection from water penetration while retaining a relatively high free area. Its sturdy construction makes it ideal for large projects where the louver covers a large span.

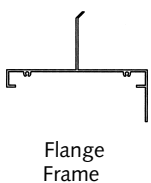
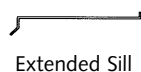


## STANDARD CONSTRUCTION

Depth	6" (152 mm)
Material	Extruded 6063-T5 Aluminum
Frame Thickness	0.085" (2.16 mm)
Frame Styles	Model 2620 Channel Frame Model 2625 Flange Frame, 1 1/2" Flange Frame
Blade Thickness	0.081" (2.06 mm)
Blade Angle	45°
Blade Centres	7 1/4" (76.2 mm)
Standard Birdscreen	1/2" x 1/2", re-galvanized, 19 gauge
Minimum Height	16" (406 mm)
Maximum Panel Height	120" (3048 mm)
Maximum Panel Width	72" (1829 mm)
Available Finishes	Mill Finish, Polyester Powder Coat Finish, Clear or Coloured Anodized Finish
Free Area (48" x 48" Unit)	8.06 sq. ft. (0.75 m <sup>2</sup> )

## ACCESSORIES

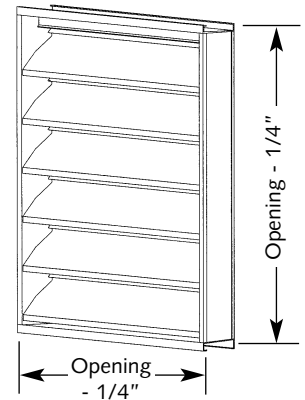
- 1/2" x 1/2" or 1/4" x 1/4" inter-crimped aluminum birdscreen
- Insect screen
- Continuous blade construction with hidden mullions to give an uninterrupted appearance
- Non-insulated blank-off panels
- 1" or 2" insulated blank-off panels
- All welded construction
- Hinged access doors
- Custom geometric shapes
- Security bars
- Extended sills
- Extended sleeves
- Filter racks





## FREE AREA (SQ. FT.)

HEIGHT IN INCHES	WIDTH IN INCHES															
	16	20	24	28	32	36	40	44	48	52	56	60	64	68	72	
16	0.50	0.65	0.79	0.93	1.07	1.21	1.36	1.50	1.64	1.78	1.92	2.06	2.21	2.35	2.49	
20	0.79	1.02	1.24	1.46	1.69	1.91	2.13	2.36	2.58	2.80	3.03	3.25	3.47	3.69	3.92	
24	1.03	1.31	1.60	1.89	2.18	2.46	2.75	3.04	3.33	3.62	3.90	4.19	4.48	4.77	5.05	
28	1.31	1.68	2.05	2.42	2.79	3.16	3.53	3.90	4.27	4.63	5.00	5.37	5.74	6.11	6.48	
32	1.44	1.85	2.25	2.66	3.07	3.47	3.88	4.28	4.69	5.09	5.50	5.90	6.31	6.71	7.12	
36	1.60	2.04	2.49	2.94	3.39	3.84	4.28	4.73	5.18	5.63	6.07	6.52	6.97	7.42	7.87	
40	1.96	2.51	3.06	3.61	4.16	4.70	5.25	5.80	6.35	6.90	7.45	8.00	8.55	9.10	9.65	
44	2.12	2.72	3.32	3.91	4.51	5.10	5.70	6.30	6.89	7.49	8.08	8.68	9.28	9.87	10.47	
48	2.48	3.18	3.88	4.57	5.27	5.97	6.67	7.36	8.06	8.76	9.45	10.15	10.85	11.54	12.24	
52	2.70	3.46	4.21	4.97	5.73	6.49	7.24	8.00	8.76	9.52	10.27	11.03	11.79	12.55	13.30	
56	3.00	3.84	4.68	5.52	6.36	7.20	8.04	8.88	9.73	10.57	11.41	12.25	13.09	13.93	14.77	
60	3.23	4.14	5.05	5.96	6.87	7.77	8.68	9.59	10.50	11.41	12.31	13.22	14.13	15.04	15.95	
64	3.52	4.50	5.49	6.48	7.46	8.45	9.44	10.42	11.41	12.40	13.39	14.37	15.36	16.35	17.33	
68	3.77	4.83	5.89	6.95	8.00	9.06	10.12	11.18	12.24	13.30	14.35	15.41	16.47	17.53	18.59	
72	3.91	5.01	6.11	7.20	8.30	9.40	10.50	11.59	12.69	13.79	14.89	15.98	17.08	18.18	19.28	
76	4.17	5.33	6.50	7.67	8.84	10.01	11.18	12.35	13.52	14.69	15.86	17.03	18.20	19.37	20.53	
80	4.45	5.69	6.94	8.19	9.44	10.69	11.93	13.18	14.43	15.68	16.93	18.17	19.42	20.67	21.92	
84	4.68	5.99	7.31	8.62	9.93	11.25	12.56	13.87	15.19	16.50	17.81	19.13	20.44	21.75	23.07	
88	4.98	6.38	7.78	9.18	10.58	11.97	13.37	14.77	16.17	17.57	18.97	20.37	21.76	23.16	24.56	
92	5.20	6.66	8.12	9.58	11.03	12.49	13.95	15.41	16.87	18.33	19.79	21.25	22.71	24.17	25.63	
96	5.52	7.07	8.62	10.16	11.71	13.26	14.81	16.36	17.91	19.46	21.01	22.56	24.10	25.65	27.20	
100	5.72	7.32	8.93	10.53	12.14	13.74	15.35	16.95	18.56	20.16	21.77	23.37	24.98	26.58	28.19	
104	5.84	7.48	9.12	10.76	12.39	14.03	15.67	17.31	18.95	20.59	22.23	23.87	25.51	27.14	28.78	
108	6.24	7.99	9.74	11.49	13.24	14.99	16.74	18.49	20.24	21.99	23.75	25.50	27.25	29.00	30.75	
112	6.36	8.15	9.93	11.72	13.50	15.29	17.07	18.86	20.65	22.43	24.22	26.00	27.79	29.57	31.36	
116	6.73	8.62	10.51	12.40	14.29	16.17	18.06	19.95	21.84	23.73	25.62	27.51	29.40	31.29	33.18	
120	6.88	8.81	10.74	12.67	14.61	16.54	18.47	20.40	22.33	24.26	26.19	28.13	30.06	31.99	33.92	



### RECOMMENDED SPECIFICATION 2620 and 2625

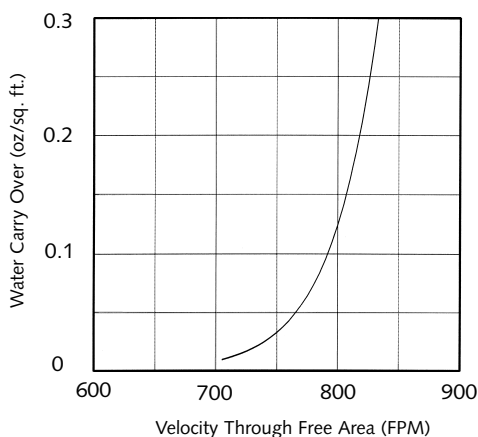
Furnish and install stationary louver models 2620/2625 as manufactured by Ventex Inc, Bolton Ontario. Louvers must be licensed to bear the AMCA seal. Louvers shall be 6" (152 mm) deep. Blades shall be 0.081" (2.06 mm) and frame shall be 0.085" (2.16 mm) extruded aluminum, alloy 6063-T5. Louvers shall have a 19 gauge galvanized birdscreen.

### CERTIFIED RATINGS

Ventex certifies that the 2620/2625 louver shown here is licensed to bear the AMCA seal. The ratings shown are based on tests and procedures performed in accordance with AMCA Publication 511 and comply with the requirements of the AMCA Certified Ratings Program. The Certified Ratings Seal applies to air performance and water penetration ratings.

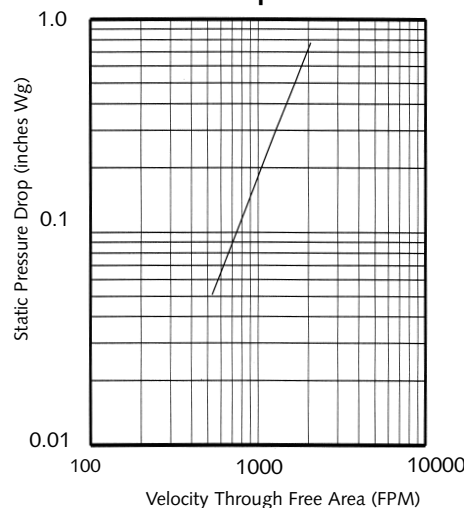


**2620 Stormproof Water Penetration**  
15 Minute Duration, Test Size (48" x 48")



Beginning point of water penetration at 0.01 oz./sq. ft. is 705 FPM

**Pressure Drop - Intake**

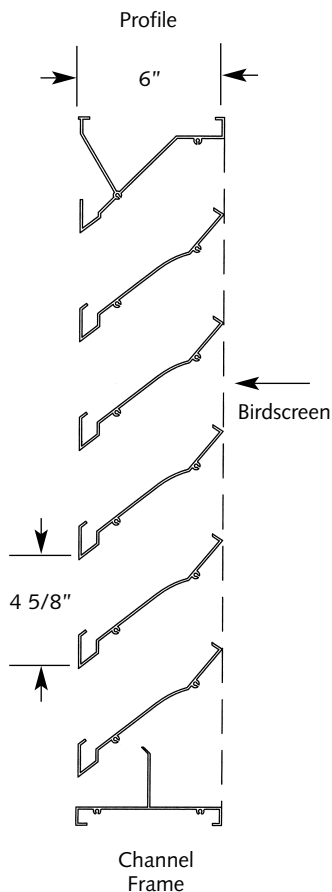


All materials shall be factory finished after assembly with Polyester Powder Coat Paint in a colour selected from the Ventex Colour Chart. The louver manufacturer shall submit test data on a 48" x 48" unit showing that the louver conforms to the data on this page.



## 2630 AND 2635 DRAINABLE LOUVERS

The Ventex 2630/2635 has been completely redesigned. The new extruded aluminum, stationary, six inch (152 mm) deep drainable louver has been greatly improved. The free area has been increased over 15% and still provides optimal protection from water penetration.

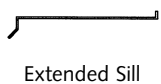


### STANDARD CONSTRUCTION

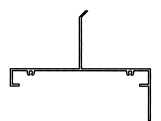
Depth	6" (152 mm)
Material	Extruded 6063-T5 Aluminum
Frame Thickness	0.095" (2.41 mm)
Frame Styles	Model 2630 Channel Frame Model 2635 Flange Frame, 1 1/2" Flange Frame
Blade Thickness	0.09" (2.29 mm)
Blade Angle	40°
Blade Centres	4 5/8" (117 mm)
Standard Birdscreen	1/2" x 1/2", re-galvanized, 19 gauge
Minimum Height	16" (406 mm)
Maximum Panel Height	120" (3048 mm)
Maximum Panel Width	72" (1829 mm)
Available Finishes	Mill Finish, Polyester Powder Coat Finish, Clear or Coloured Anodized Finish
Free Area (48" x 48" Unit)	8.30 sq. ft. (0.77 m <sup>2</sup> )

### ACCESSORIES

- 1/2" x 1/2" or 1/4" x 1/4" aluminum birdscreen
- 18" x 14" Insect screen
- Non-insulated blank-off panels
- Insulated blank-off panels
- All welded construction
- Hinged access doors
- Custom geometric shapes
- Extended sleeves
- Filter racks
- Security bars
- Extended sills



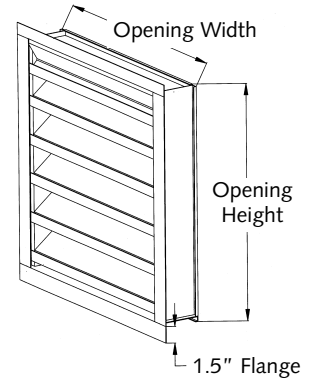
Extended Sill



1.5 - Flange Frame

## FREE AREA (SQ. FT.)

HEIGHT IN INCHES	WIDTH IN INCHES														
	16	20	24	28	32	36	40	44	48	52	56	60	64	68	72
16	0.61	0.79	0.96	1.14	1.32	1.50	1.68	1.85	2.03	2.21	2.39	2.57	2.74	2.92	3.10
20	0.83	1.08	1.32	1.56	1.81	2.05	2.29	2.54	2.78	3.02	3.27	3.51	3.75	4.00	4.24
24	1.15	1.48	1.82	2.15	2.49	2.82	3.15	3.49	3.82	4.16	4.49	4.83	5.16	5.50	5.83
28	1.41	1.82	2.23	2.64	3.05	3.46	3.87	4.28	4.69	5.10	5.51	5.92	6.33	6.74	7.15
32	1.59	2.05	2.51	2.98	3.44	3.90	4.36	4.83	5.29	5.75	6.22	6.68	7.14	7.60	8.07
36	1.78	2.31	2.83	3.35	3.87	4.39	4.91	5.43	5.95	6.47	6.99	7.51	8.03	8.55	9.08
40	2.02	2.60	3.19	3.78	4.37	4.96	5.54	6.13	6.72	7.31	7.90	8.49	9.07	9.66	10.25
44	2.26	2.91	3.57	4.23	4.89	5.54	6.20	6.86	7.52	8.17	8.83	9.49	10.15	10.80	11.46
48	2.49	3.21	3.94	4.66	5.39	6.12	6.84	7.57	8.30	9.02	9.74	10.47	11.19	11.92	12.64
52	2.80	3.62	4.43	5.25	6.06	6.88	7.70	8.51	9.33	10.15	10.96	11.78	12.59	13.41	14.23
56	3.04	3.93	4.82	5.70	6.59	7.47	8.36	9.25	10.13	11.02	11.91	12.79	13.68	14.57	15.45
60	3.28	4.24	5.19	6.15	7.10	8.06	9.02	9.97	10.93	11.88	12.84	13.79	14.75	15.71	16.66
64	3.66	4.72	5.79	6.85	7.92	8.98	10.05	11.11	12.18	13.24	14.31	15.37	16.44	17.51	18.57
68	3.66	4.72	5.79	6.85	7.92	8.99	10.05	11.12	12.18	13.25	14.31	15.38	16.44	17.51	18.58
72	3.90	5.03	6.16	7.30	8.43	9.57	10.70	11.84	12.97	14.11	15.24	16.38	17.51	18.65	19.78
76	4.13	5.33	6.53	7.74	8.94	10.14	11.34	12.55	13.75	14.95	16.15	17.36	18.56	19.76	20.96
80	4.35	5.62	6.89	8.16	9.42	10.69	11.96	13.23	14.49	15.76	17.03	18.30	19.56	20.83	22.10
84	4.73	6.10	7.48	8.86	10.23	11.61	12.99	14.36	15.74	17.12	18.49	19.87	21.25	22.62	24.00
88	4.93	6.37	7.80	9.24	10.68	12.11	13.55	14.98	16.42	17.86	19.29	20.73	22.16	23.60	25.04
92	5.23	6.75	8.27	9.79	11.31	12.84	14.36	15.88	17.40	18.92	20.45	21.97	23.49	25.01	26.53
96	5.31	6.85	8.39	9.94	11.48	13.03	14.57	16.12	17.66	19.21	20.75	22.30	23.84	25.39	26.93
100	5.54	7.15	8.76	10.37	11.98	13.60	15.21	16.82	18.43	20.04	21.66	23.27	24.88	26.49	28.10
104	5.78	7.46	9.14	10.82	12.50	14.19	15.87	17.55	19.23	20.91	22.60	24.28	25.96	27.64	29.32
108	6.00	7.75	9.50	11.24	12.99	14.74	16.48	18.23	19.98	21.73	23.47	25.22	26.97	28.71	30.46
112	6.27	8.10	9.92	11.75	13.58	15.40	17.23	19.06	20.88	22.71	24.53	26.36	28.19	30.01	31.84
116	6.54	8.45	10.35	12.26	14.16	16.07	17.97	19.88	21.79	23.69	25.60	27.50	29.41	31.31	33.22
120	6.82	8.80	10.78	12.77	14.75	16.74	18.72	20.71	22.69	24.67	26.66	28.64	30.63	32.61	34.60



### RECOMMENDED SPECIFICATION 2630 and 2635

Furnish and install stationary louver models 2630/2635 as manufactured by Ventex Inc, Bolton Ontario. Louvers must be licensed to bear the AMCA seal.

Louvers shall be 6" (152 mm) deep. Blades shall be 0.090" (2.28 mm) and frame shall be 0.085" (2.16 mm) extruded aluminum, alloy 6063-T5. Louvers shall have a 19 gauge galvanized bird-screen.

All materials shall be factory finished after assembly with Polyester Powder Coat Paint in a colour selected from the Ventex Colour Chart. The louver manufacturer shall submit test data on a 48" x 48" unit showing that the louver conforms to the data on this page.

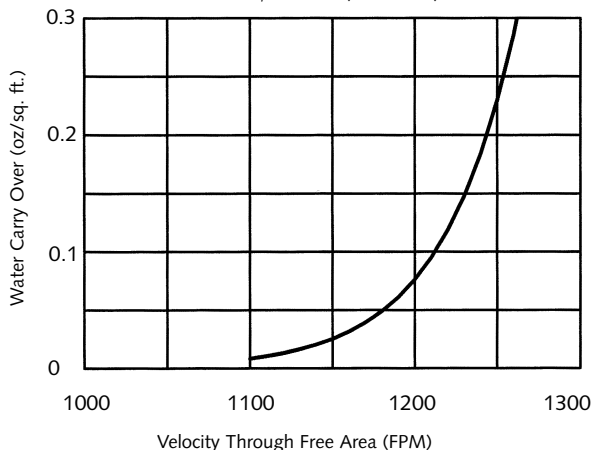
## CERTIFIED RATINGS

Ventex certifies that the model 2630/2635 louver shown herein is licensed to bear the AMCA seal. The ratings shown are based on tests and procedures performed in accordance with AMCA Publication 511 and comply with the requirements of the AMCA Certified Ratings Program. The Certified Ratings Seal applies to air performance and water penetration ratings.



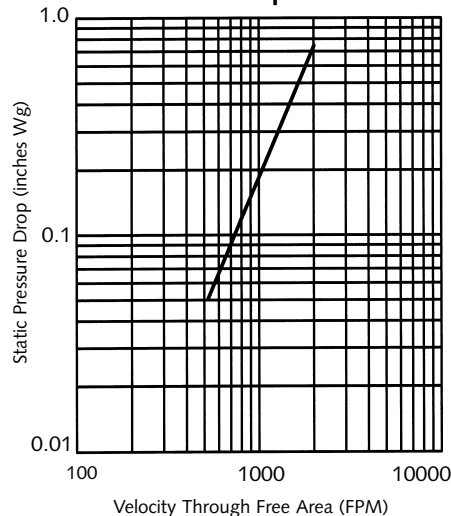
### 2630 - 2635 Drainable Water Penetration

15 Minute Duration, Test Size (48" x 48")



Beginning point of water penetration at 0.01 oz./sq. ft. is 1100 FPM

### Pressure Drop - Intake



Test results do not include the effects of birdscreen.

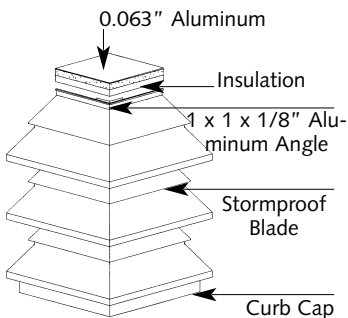


# MITRE CORNER PENTHOUSE

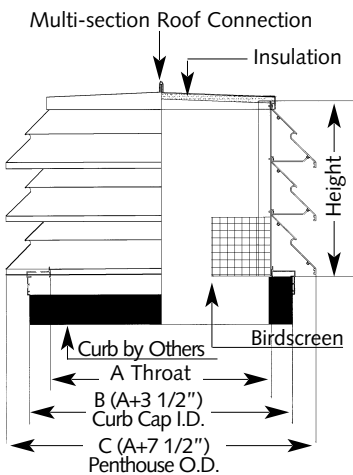
## RECOMMENDED SPECIFICATION MITRE CORNER PENTHOUSE

Furnish and install stationary mitre corner penthouse as manufactured by Ventex Inc, Bolton Ontario. The penthouse blades shall be 2420/2425. Blades shall be 0.081" (2.06 mm) and frame shall be 0.081" (2.06 mm) extruded aluminum, alloy 6063-T5. Louvers shall have a 19 gauge galvanized bird-screen.

All materials shall be factory finished after assembly with Polyester Powder Coat Paint in a colour selected from the Ventex Colour Chart.



Mitre Corner Detail

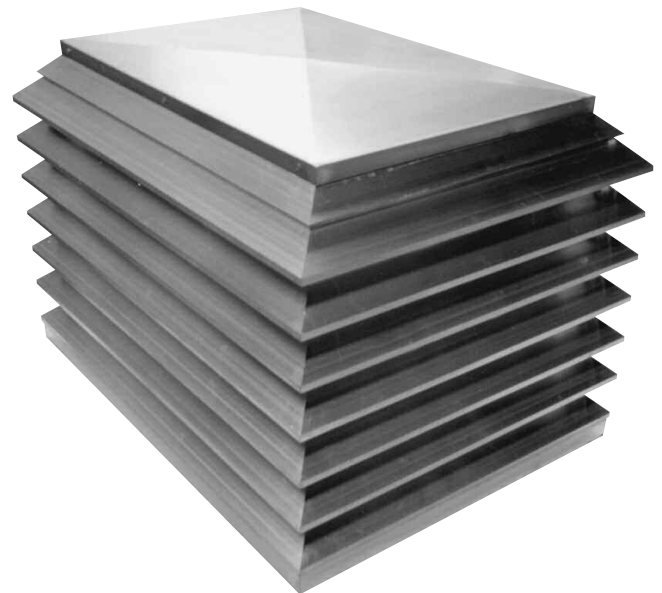


## STANDARD CONSTRUCTION

Blade Style	Stormproof
Material	Extruded 6063-T5 Aluminum
Frame Thickness	0.081" (2.06 mm)
Corners	Mitre Corner
Blade Thickness	0.081" (2.06 mm)
Blade Angle	45°
Blade Centres	Determined by the height of the penthouse. Min: 4" (100 mm) Max: 5" (127 mm)
Standard Birdscreen	1/2" x 1/2", re-galvanized, 19 gauge
Minimum Height	12" (305 mm)
Maximum Panel Height	Consult Ventex
Maximum Panel Width	Consult Ventex
Available Finishes	Mill Finish, Polyester Powder Coat Finish
Standard Roof Construction	Factory applied anti-condensation coating

## ACCESSORIES

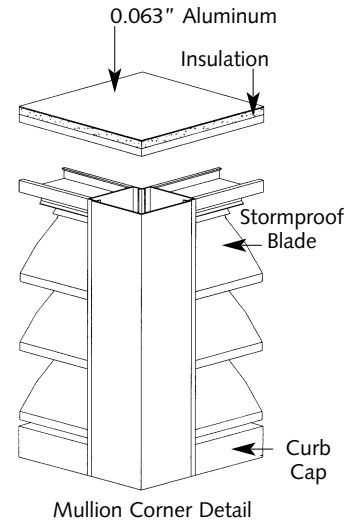
- Filter racks
- Hinged roof
- Concealed access door
- Extended weather guard around throat
- Insect screen
- 1/2" x 1/2" or 1/4" x 1/4" inter-crimped aluminum birdscreen
- Continuous blade construction with hidden mullions to give an uninterrupted appearance
- Motorized or manual dampers for throat
- Blade styles available - 2220, 2210, 2420, 2410 and 2620. Drainable blades are not recommended for a mitre corner penthouse



The Ventex mullion corner penthouse is an economical alternative to the mitre corner penthouse. The mullion corner penthouse is available in all blade styles and can be used in many custom applications.

## STANDARD CONSTRUCTION

Blade Style	Stormproof
Material	Extruded 6063-T5 Aluminum
Frame Thickness	0.081" (2.06 mm)
Corners	Mullion Corner
Blade Thickness	0.081" (2.06 mm)
Blade Angle	45°
Blade Centres	4 7/8" (124 mm)
Standard Birdscreen	1/2" x 1/2", re-galvanized, 19 gauge
Minimum Height	12" (305 mm)
Maximum Panel Height	Consult Ventex
Maximum Panel Width	Consult Ventex
Available Finishes	Mill Finish, Polyester Powder Coat Finish, & Anodized Finish
Standard Roof Construction	Factory applied anti-condensation coating



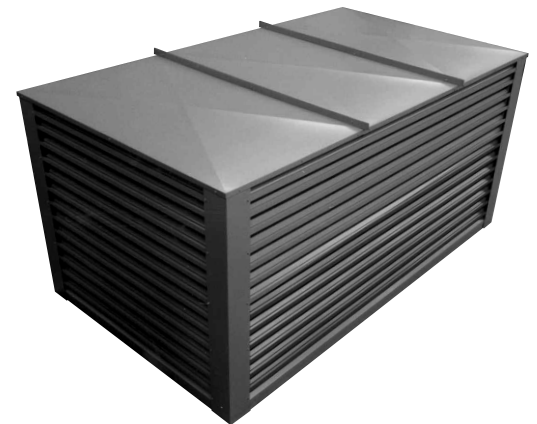
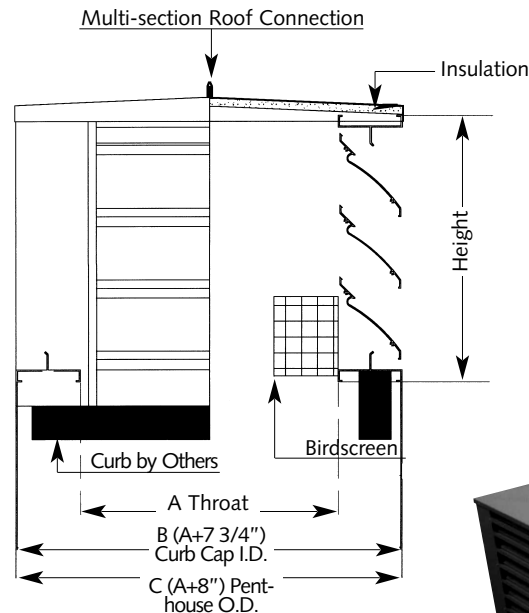
## RECOMMENDED SPECIFICATION MULLION CORNER PENTHOUSE

Furnish and install stationary mullion corner penthouse as manufactured by Ventex Inc, Bolton Ontario. The penthouse blades shall be 2420/2425 stormproof (Or other specified blade). Blades shall be 0.081" (2.06 mm) and frame shall be 0.081" (2.06 mm) extruded aluminum, alloy 6063-T5. The penthouse shall have a 19 gauge galvanized bird screen.

All materials shall be factory finished after assembly with Polyester Powder Coat Paint in a colour selected from the Ventex Colour Chart.

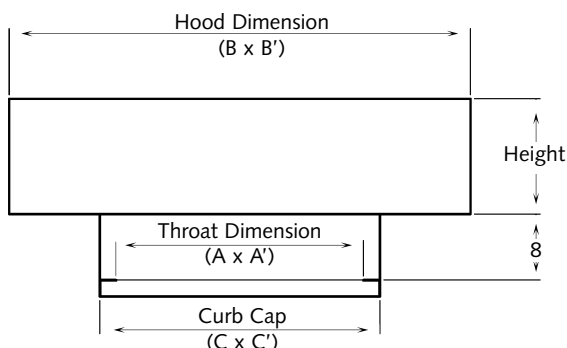
## ACCESSORIES

- Filter racks
- Hinged roof
- Concealed access door
- Insect screen
- 1/2" x 1/2" or 1/4" x 1/4" inter-crimped aluminum birdscreen
- Continuous blade construction with hidden mullions to give an uninterrupted appearance
- Motorized or manual dampers for throat
- Blade styles available - 2220, 2210, 2430, 2420, 2410, 2630 and 2620





## MODELS GV-I & GV-E GRAVITY VENTILATORS



The introduction of the Ventex intake and exhaust hoods completes our line of roof top ventilators. The Ventex hood is a cost efficient alternative to penthouses. The hood offers the ability to move a greater volume of air at low static pressures. The 360° opening around the throat gives a reliable and balanced air flow from any direction as well as providing effective protection from weather. The low profile design of the hood minimizes the probability of being visible from the ground.

The hood is constructed from Heavy Gauge 0.063 Aluminum using standing seams and snap lock seams and assembled using self-sealing fasteners. Incorporated in the hood design are integral internal structural supports and braces to provide rigidity to withstand significant wind and snow loads.

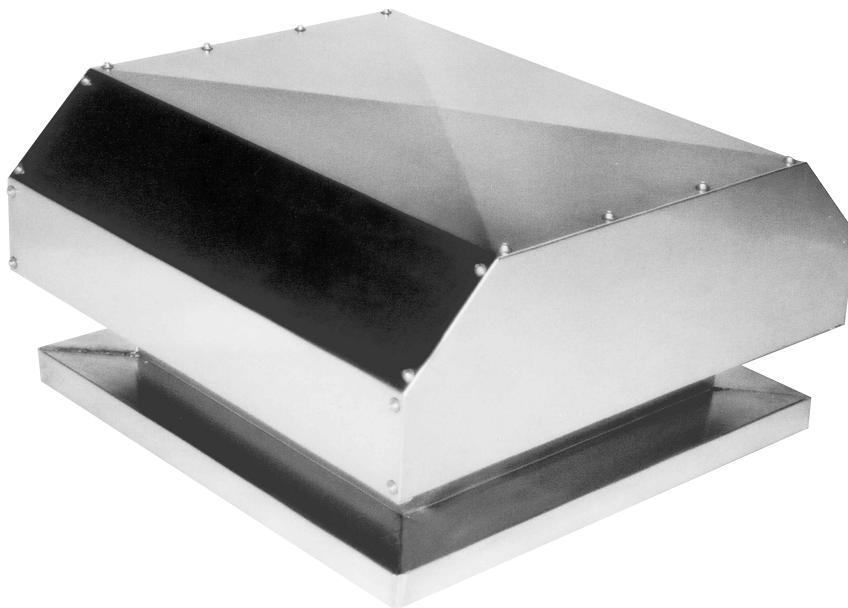
The base is a single piece. It is fabricated from 0.063 aluminum using continuous welds along all vertical corners and seams. This provides exceptional strength and water tightness.

### STANDARD CONSTRUCTION

Material	0.063 Aluminum
Throat Opening	360°
Hood Seams	Standing seams and Snap-Lock seams assembled with Self-Sealing Fasteners
Base	0.063" Aluminum with continuous welds along all vertical corners and seams
Screen	0.051" Flattened Aluminum Expanded Metal
Exhaust Ventilator Ratio	1:1 Open Hood Area to Throat Area
Intake Ventilator Ratio	2:1 Open Hood Area to Throat Area

### OPTIONAL ACCESSORIES

- Steel Construction
- Back Draft Dampers
- Filter Racks
- Aluminum Birdscreen
- Anti Condensate Coating
- 1" Roof Insulation
- Hinged Top
- Baked Enamel Finish



Ventex WHD-45 and WHD-90 Series wall mount weather hoods provide effective and economical protection from extreme weather as well as unwanted pests. The models are engineered for both intake or exhaust airflow applications, and are also ideal for use on air handlers and a/c units when extra weather protection is desired.

**STANDARD CONSTRUCTION**

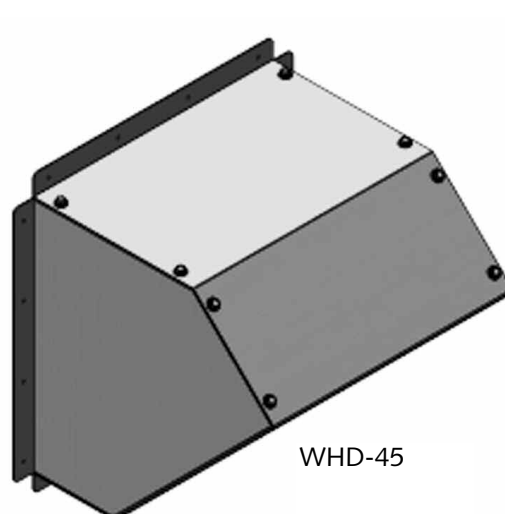
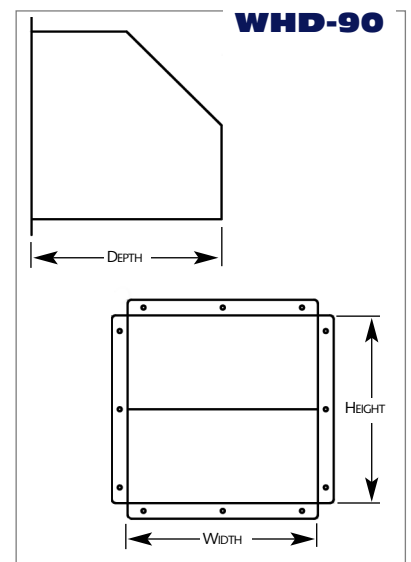
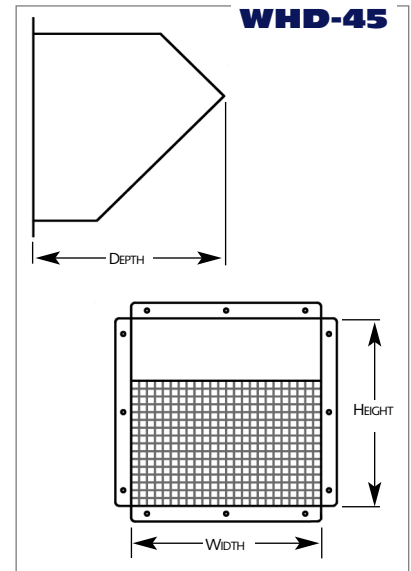
Material	18 GA. Galvanized Steel
Screen	19 GA. Galvanized Birdscreen (1/2" x 1/2" openings)
Finish	Mill
Assembly	Self-Sealing Fasteners

Model	Width In (mm)	Height In (mm)	Depth In (mm)	Flange In (mm)	
WHD-45-8	WHD-90-8	8 [203]	8 [203]	8 [203]	1 [25]
WHD-45-10	WHD-90-10	10 [254]	10 [254]	10 [254]	1 [25]
WHD-45-12	WHD-90-12	12 [305]	12 [305]	12 [305]	1 [25]
WHD-45-14	WHD-90-14	14 [356]	14 [356]	14 [356]	1 [25]
WHD-45-16	WHD-90-16	16 [406]	16 [406]	16 [406]	1 [25]
WHD-45-18	WHD-90-18	18 [457]	18 [457]	18 [457]	1.5 [38]
WHD-45-20	WHD-90-20	20 [508]	20 [508]	20 [508]	1.5 [38]
WHD-45-22	WHD-90-22	22 [559]	22 [559]	22 [559]	1.5 [38]
WHD-45-24	WHD-90-24	24 [610]	24 [610]	24 [610]	1.5 [38]
WHD-45-26	WHD-90-26	26 [660]	26 [660]	26 [660]	1.5 [38]
WHD-45-28	WHD-90-28	28 [711]	28 [711]	28 [711]	1.5 [38]
WHD-45-30	WHD-90-30	30 [762]	30 [762]	30 [762]	1.5 [38]
WHD-45-32	WHD-90-32	32 [813]	32 [813]	32 [813]	1.5 [38]
WHD-45-34	WHD-90-34	34 [864]	34 [864]	34 [864]	1.5 [38]
WHD-45-36	WHD-90-36	36 [914]	36 [914]	36 [914]	1.5 [38]

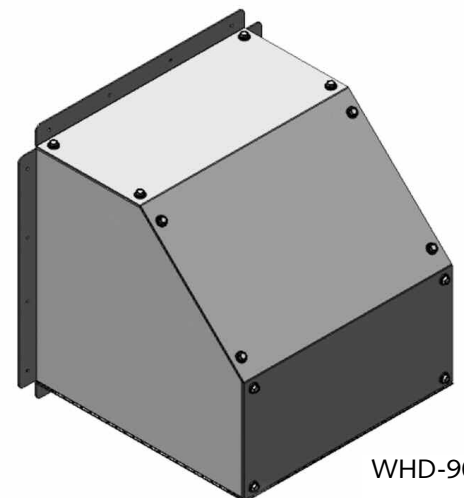
Custom sizes available. Contact Ventex with your requirements.

**OPTIONAL ACCESSORIES**

- 0.063" Aluminum Construction
- Aluminum Birdscreen 1/2" x 1/2" openings
- Expanded Metal - 0.051" Flattened Aluminum Birdscreen
- Powdercoat Paint Finish (contact factory for other finishes)
- Welded Assembly



WHD-45



WHD-90



## ACL ACOUSTIC LOUVER

Ventex Models ACL800 and the ACL1200 are formed acoustic louvers. The ACL800 is eight inches (203 mm) deep and the ACL1200 is twelve inches (305 mm) deep. Standard construction is aluminum; galvanized steel construction is available as an alternative. The ACL600 acoustic louver is an extruded aluminum, six inch (152 mm) deep louver. These louvers are designed for applications that require noise reduction, as well as ventilation for equipment or machinery. They are commonly used in pumping stations and portable generators.

### STANDARD CONSTRUCTION

Model	ACL600	ACL800	ACL1200
Depth	6" (152 mm)	8" (203 mm)	12" (305 mm)
Material	6063-T5 Extruded Aluminum	.063" Aluminum Sheet Formed	.063" Aluminum Sheet Formed
Frame Thickness	5/8" (16 mm)	1" (25.4 mm)	1" (25.4 mm)
Frame Styles	Model ACL600 Channel Frame Model ACL605 Flange Frame	Model ACL800 Channel Frame Model ACL805 Flange Frame	Model ACL1200 Channel Frame Model ACL1205 Flange Frame
Blade Thickness	1" (25 mm)	4" (102 mm)	6" (152 mm)
Blade Angle	45°	45°	45°
Blade Centres	5 7/8" (149 mm)	8" (203 mm)	12" (305 mm)
Standard Birdscreen	1/2" x 1/2", re-galvanized, 19 gauge	1/2" x 1/2", re-galvanized, 19 gauge	1/2" x 1/2", re-galvanized, 19 gauge
Minimum Height	16" (406 mm)	16" (406 mm)	24" (610 mm)
Maximum Panel Height	72" (1829 mm)	72" (1829 mm)	72" (1829 mm)
Maximum Panel Width	60" (1524 mm)	60" (1524 mm)	60" (1524 mm)
Available Finishes	Mill Finish & Polyester Powder Coat Finish	Mill Finish & Polyester Powder Coat Finish	Mill Finish & Polyester Powder Coat Finish
Free Area (48" x 48" Unit)	4.40 sq. ft. (0.41 m <sup>2</sup> )	4.24 sq. ft. (0.39 m <sup>2</sup> )	3.94 sq. ft. (0.37 m <sup>2</sup> )

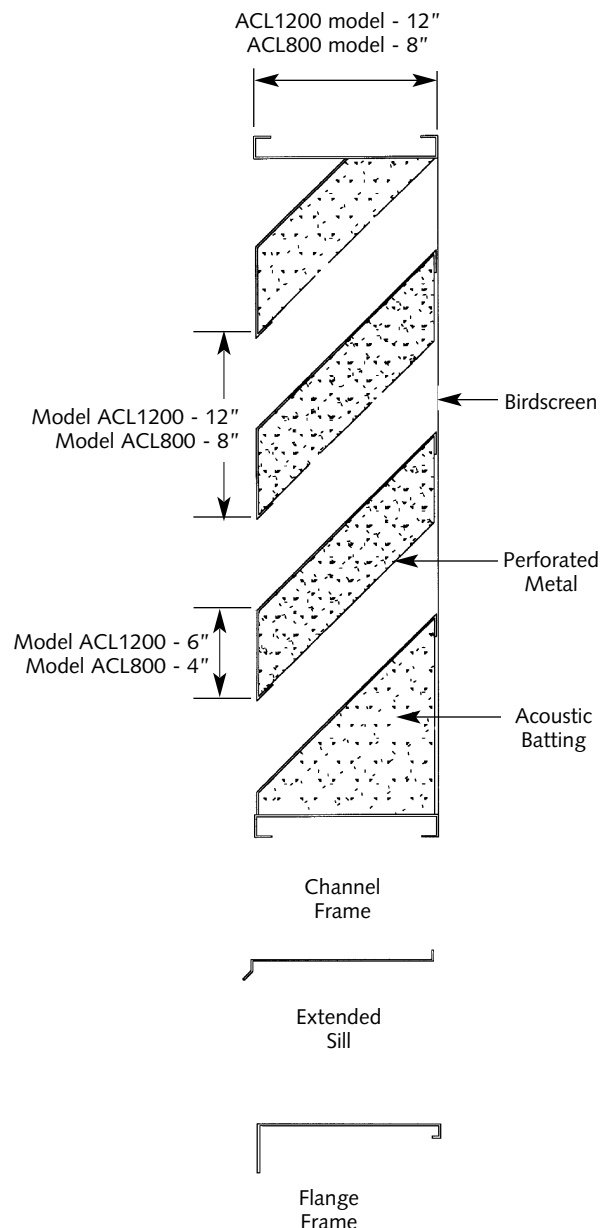
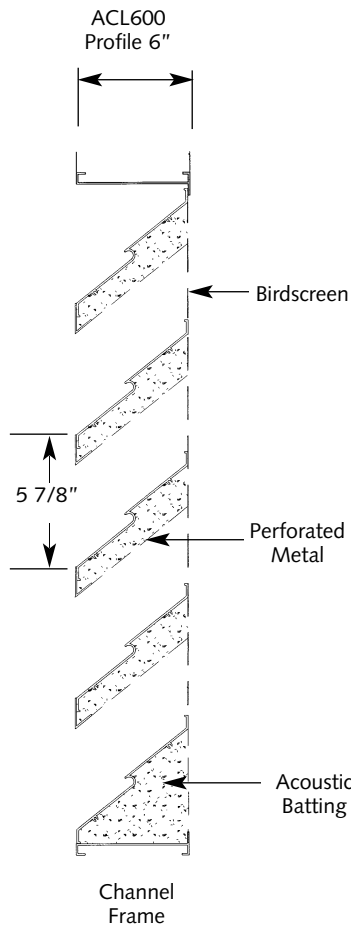
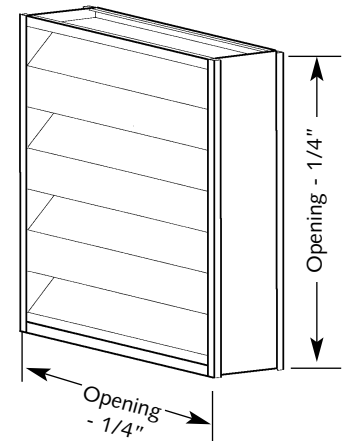
### ACCESSORIES

- Galvanized steel construction
- Additional gauges of aluminum construction available
- 1/2" x 1/2" or 1/4" x 1/4" inter-cripped aluminum birdscreen
- Insect screen
- Aluminum blank-off panels
- 1" or 2" insulated blank-off panels
- All welded construction
- Security bars
- Extended sleeves





Octave Band Frequency	ACL600 Noise Reduction (dB)	ACL800 Noise Reduction (dB)	ACL1200 Noise Reduction (dB)
2/125	7	8	8
3/250	9	12	15
4/500	11	15	17
5/1000	14	20	23
6/2000	22	24	25
7/4000	23	24	21
8/8000	26	23	20

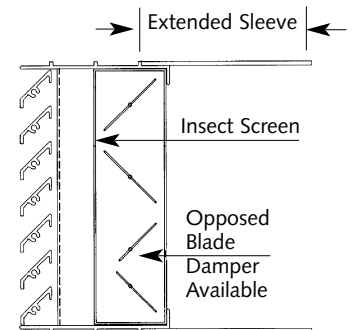
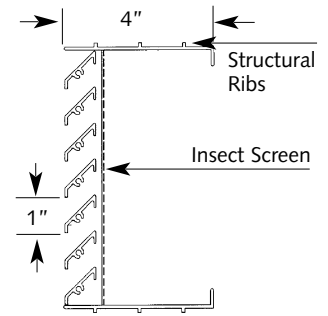


**RECOMMENDED SPECIFICATION  
ACL600/ACL605,  
ACL800/ACL805  
AND  
ACL1200/ACL1205**

Furnish and install stationary louvers Model ACL600/ACL605, Model ACL800/ACL805 or Model ACL1200/ACL1205 as manufactured by Ventex Inc, Bolton Ontario. Louvers shall be 12" (305 mm) deep, 8" (203 mm) deep or 6" (152 mm) deep. Blades shall be 0.063" (1.6 mm) and frame shall be 0.063" (1.6 mm) formed aluminum or 6063-T5 extruded aluminum (ACL600/ACL605 only). Louvers shall have a 19 gauge galvanized birdscreen.

All materials shall be factory finished after assembly with Polyester Powder Coat Paint in a colour selected from the Ventex Colour Chart.

The Ventex BV is a heavy-duty extruded aluminum brick vent. The aluminum construction makes it resistant to the corrosive environment of foundation walls and chimneys. The brick vent comes with both birdscreen and insect screen. The brick vent features both extended head and extended sill to provide a drip edge for water to travel around the opening. There is also a raised water stop at the back to prevent any water flowing into the duct. It also has structural ribs in the head and sill to provide a good masonry bond. The Ventex brick vent is made from extruded aluminum, is available in custom sizes and is more versatile than a cast aluminum vent.



## STANDARD CONSTRUCTION

Depth	4" (102 mm)
Material	Extruded 6063-T5 Aluminum
Frame Thickness	0.109" (2.54 mm)
Frame Styles	Channel Frame
Blade Thickness	0.109" (2.54 mm)
Blade Angle	45°
Blade Centres	1" (25 mm)
Minimum Height	3 3/4" (95 mm)
Maximum Panel Height	36" (914 mm)
Maximum Panel Width	36" (914 mm)
Available Finishes	Mill Finish, Polyester Powder Coat Finish, Clear & Colour Anodizing

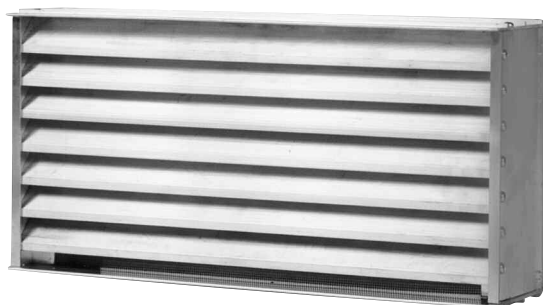
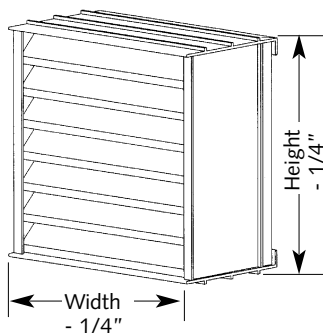
## RECOMMENDED SPECIFICATION BRICK VENT

Furnish and install extruded aluminum stationary brick vent as manufactured by Ventex Inc, Bolton Ontario. Brick vents shall be 4" in depth with extended head and sill integral to the brick vent. Blades shall be 0.109" (2.54 mm) and frame shall be 0.109" (2.54 mm) extruded aluminum, alloy 6063-T5. Brick vents will come complete with aluminum #14 standard insect screen.

All materials shall be factory finished after assembly with Polyester Powder Coat Paint in a colour selected from the Ventex Colour Chart.

## ACCESSORIES

- Extended sleeves
- Back draft damper in an extended sleeve
- Opposed blade damper that can be opened through the face



Note: Opposed Blade Dampers are (W - 1.25) x (H - 3/4) Face Operated

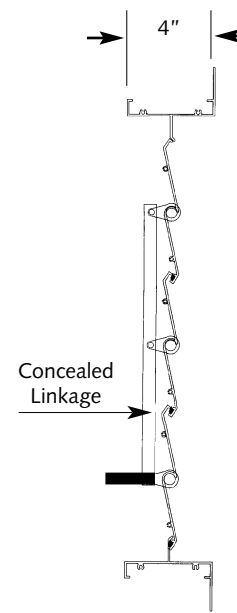
# MODELS 2420-OP/2425-OP STORMPROOF OPERABLE LOUVER



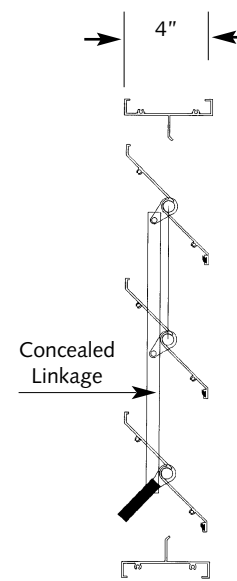
The Ventex 2420-OP/2425-OP is a four inch (102 mm) deep operable stormproof louver. The 2420-OP is ideal for an application in which the available space does not allow for a stationary louver and backdraft damper. Its design provides protection from water penetration while retaining a high free area with minimal static pressure drop.

## STANDARD CONSTRUCTION

Depth	4" (102 mm)
Material	Extruded 6063-T5 Aluminum
Frame Thickness	0.081" (2.06 mm)
Frame Styles	Model 2420-OP Channel Frame Model 2425-OP Flange Frame, 1 1/2" Flange Frame
Blade Thickness	0.081" (2.06 mm)
Blade Angle	Adjustable to 45°
Blade Centres	6 1/8" (156 mm)
Blade Seals	Vinyl blade edge seals Stainless steel jambs seals
Standard Birdscreen	1/2" x 1/2", re-galvanized, 19 gauge
Minimum Height	16" (406 mm)
Maximum Panel Height	72" (1829 mm)
Maximum Panel Width	60" (1524 mm)
Maximum Panel Size	24 sq. ft.
Available Finishes	Mill Finish, Polyester Powder Coat Finish, Clear or Coloured Anodized Finish
Standard Method of Operation	Chain operated



Blades Closed



Blades Open



Channel Frame

## ACCESSORIES

- A wide variety of actuators is available. Consult Ventex for details.
- 1/2" x 1/2" or 1/4" x 1/4" intercrimped aluminum birdscreen
- Insect screen
- Non-insulated blank-off panels
- 1" or 2" insulated blank-off panels
- Extended sills
- Filter racks
- Hand crank operation
- Jack shafting for operating multiple sections with one motor
- Side shaft for remote operation or for motors by other

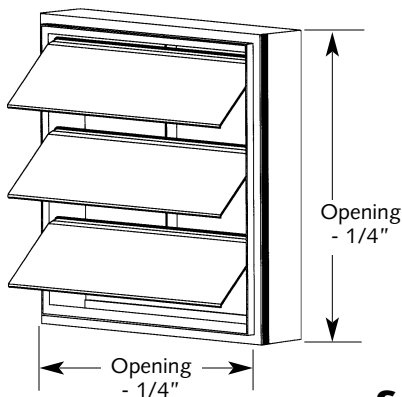
## RECOMMENDED SPECIFICATION 2420-OP/2425-OP

Furnish and install operable louver models 2420-OP/2425-OP as manufactured by Ventex Inc, Bolton Ontario. Louvers shall be 4" (102 mm) deep. Blades shall be 0.081" (2.06 mm) and frame shall be 0.081" (2.06 mm) extruded aluminum, alloy 6063-T5. Louvers shall have a 19 gauge galvanized birdscreen.

All materials shall be factory finished after assembly with Polyester Powder Coat Paint in a colour selected from the Ventex Colour Chart.



## MODEL 1200 EXTRUDED BACK DRAFT DAMPER



Ventex Model 1200 (formerly BDD) is a superior concept in back draft dampers. This unique all aluminum product eliminates the shortcomings of previous designs on the market. Pivot pins that quickly wear or rust out, or rivets that shake loose and pull through the blade are no longer a problem. The extruded blades are engineered to combine strength and durability with smooth operation by virtue of their aerodynamic design.

### RECOMMENDED SPECIFICATION BACK DRAFT DAMPER

Furnish and install Model 1200/1205/1207 backdraft damper as manufactured by Ventex Inc, Bolton Ontario. The damper must be licensed to bear the AMCA seal. Dampers shall be 2 3/4" (70 mm) deep when the blades are closed and 5 5/8" deep when the blades are open. Blades shall be 0.062" (1.57 mm) and frame shall be 0.062" (1.57 mm) extruded aluminum, alloy 6063-T5.

The blades must have vinyl edge seals integral to each blade. Linkage is to be concealed from the front view of the damper and cannot be mechanically fastened to the damper blades. The damper manufacturer shall submit test data on the damper showing that it conforms to the data on the following page.

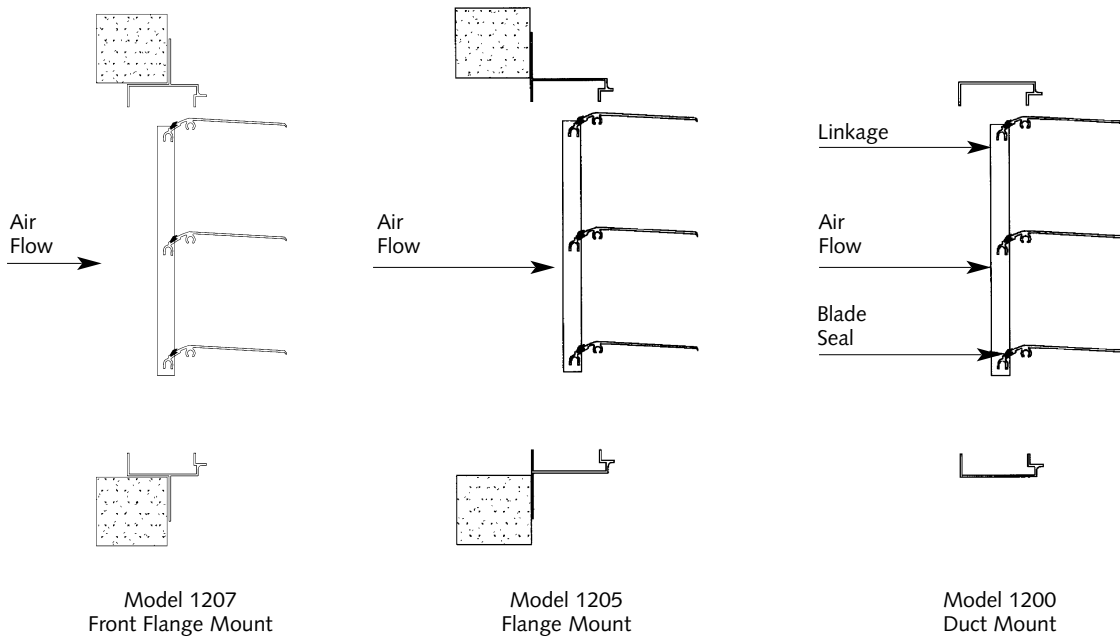
### STANDARD CONSTRUCTION

Depth: Blades Closed	2 3/4" (70 mm) "DM" & "FM"
Depth: Blades Open	5 5/8" (143 mm) "DM" & "FM"
Material	Extruded 6063-T5 Aluminum
Frame Thickness	0.062" (1.57 mm)
Frame Styles	Model 1200: Duct Mount (DM) Model 1205: 1 1/2" Flange Frame (FM) Model 1207: 1 1/2" Front Flange Frame (FFM) All styles have mitred corners
Blade Thickness	0.062" (1.57 mm)
Blade Centres	3 3/4" (95 mm)
Blade Seals	Integral Vinyl Blade Seals on each blade
Minimum Height	9" (229 mm)
Maximum Panel Height	60" (1524 mm)
Maximum Panel Width	Single panel: 40" (1016 mm) Double panel within a single frame: 60" (1524 mm) overall size

### ACCESSORIES

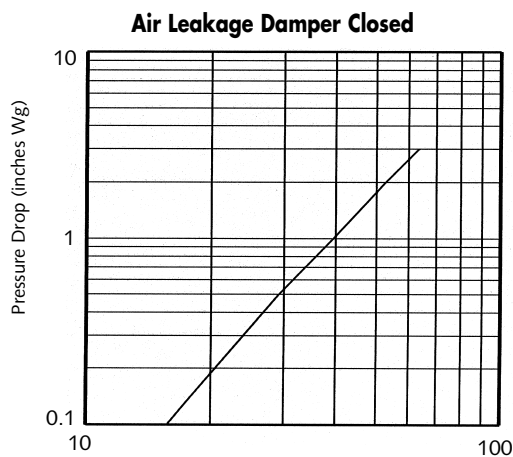
- Counter balancing without springs
- Conduit hole
- Galvanized birdscreen
- Aluminum birdscreen
- Insect screen
- Manual locking device to keep blades open
- Manual operation complete with 6 feet of chain



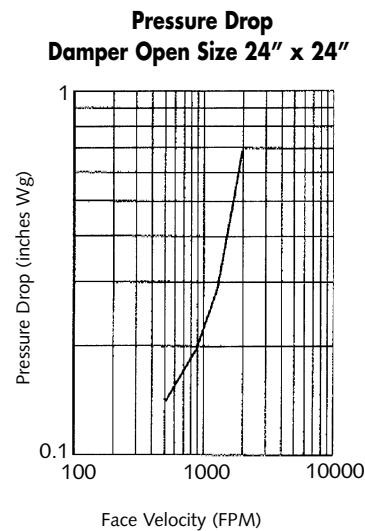


## CERTIFIED RATINGS

Ventex certifies that the Model 1200 Back Draft Damper shown here is licensed to bear the AMCA seal. The ratings shown are based on tests and procedures performed in accordance with AMCA Standard 511 and comply with the requirements of the AMCA Certified Ratings Program. The Certified Ratings Seal applies to air performance and air leakage ratings.



Leakage CFM/Sq. Ft. of Face Area  
Air leakage is based upon operation  
between 0°C - 49°C (32°F - 120°F)  
Test Figure 5.5





## MODEL 1100 ROLL-FORMED BLADE BACKDRAFT DAMPER

The new Model 1100 (formerly RFD) roll-formed blade backdraft damper utilizes the same frame and reliable blade pivoting system as the Model 1200 damper. The 1100 uses a lighter roll-formed blade design and is ideal for roof top dome fan applications where the volume of air is low. The the 1100 series is a value engineered alternative to the 1200 series.

### RECOMMENDED SPECIFICATION

Furnish and install Model 1100 roll-formed blade damper as manufactured by Ventex Inc, Bolton Ontario. Dampers shall be 2 3/4" (70 mm) deep when the blades are closed and 5 5/8" deep when the blades are open. Blades shall be 0.032" roll-formed blades and frame shall be 0.062" (1.57 mm) extruded aluminum, alloy 6063-T5. Linkage is to be concealed from the front view of the damper and cannot be mechanically fastened to the damper blades.

### STANDARD CONSTRUCTION

Depth: Blades Closed	2 3/4" (70 mm)
Depth: Blades Open	5 5/8" (143 mm)
Material	Extruded 6063-T5 Extruded Aluminum
Frame Thickness	0.062" (2.06 mm)
Frame Styles	Model 1100: Duct Mount (DM) Model 1105: 1 1/2" Flange Frame (FM) Model 1107: 1 1/2" Front Flange Frame (FFM) All styles have mitred corners
Blade Thickness	0.032" Roll-Formed Blades
Blade Centres	3 3/4" (95 mm)
Seals	Vinyl Blade Seal
Minimum Height	9" (229 mm)
Maximum Panel Width	60" (1524 mm)
Standard Operation Method	Gravity

### ACCESSORIES

- Galvanized Birdscreen
- Conduit hole
- Mill finish only
- Insect screen 18 x 14 mesh

\*Note the roll-formed damper is not available with a motor.



The Ventex Model 1300 (formerly MBD) is our specially engineered motorized damper. Its design allows it to be used in either an exhaust or intake system. The damper blade pivots in the middle, which makes it easier to open, by balancing the positive and negative pressures on both sides of the blade. Traditional motorized dampers that have blades that pivot from the top, force the motor to work harder, because they have to overcome the negative pressure of an intake application. The advantage to the center pivot blade is the increased life expectancy of the motor. The design also gives the damper a high free area.



## RECOMMENDED SPECIFICATION MOTORIZED DAMPER

Furnish and install Model 1300 motorized damper as manufactured by Ventex Inc, Bolton Ontario. Dampers shall be 6 3/4" (171 mm) deep when the blades are closed and 8 3/4" (222 mm) deep when the blades are open. Blades shall be 0.062" (1.57 mm) and frame shall be 0.062" (1.57 mm) extruded aluminum, alloy 6063-T5.

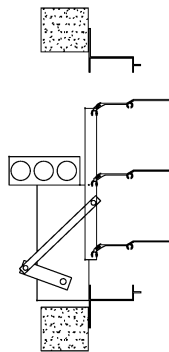
The blades must have vinyl edge seals integral to each blade. Linkage is to be concealed from the front view of the damper and cannot be mechanically fastened to the damper blades.

## STANDARD CONSTRUCTION

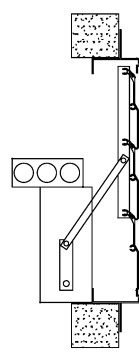
Depth: Blades Closed	6 3/4" (171 mm)
Depth: Blades Open	8 3/4" (222 mm)
Material	Extruded 6063-T5 Aluminum
Frame Thickness	0.062" (1.57 mm)
Frame Styles	Model 1300: Duct Mount (DM) Model 1305: 1 1/2" Flange Frame (FM) Model 1307: 1 1/2" Front Flange Frame (FFM) All styles have mitred corners
Blade Thickness	0.062" (1.57 mm)
Blade Centres	3 3/4" (95 mm)
Minimum Height	8" (300 mm)
Maximum Panel Height	48" (1219 mm)
Maximum Panel Width	Single panel 40" (1016 mm) Double panel 60" (1524 mm) Double panel dampers require 2 motors
Standard Motor	Multi-Products Motor Series 2813 2 Position, External Spring Return UL & CSA Approved
Maximum Panel Size Per Motor	11.5 sq. ft.

## ACCESSORIES

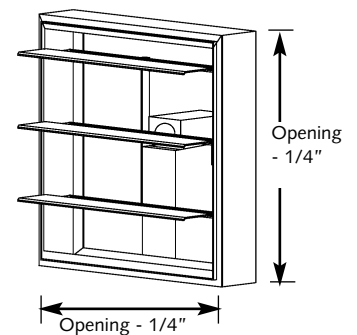
- Multi products motor packs (115 volt, 230 volt (single phase), 460 volt (single phase), & 24 volt AC)
- Belimo Motors available upon request. Consult Ventex for details
- Jack shafts to operate multiple sections with a single motor
- Conduit hole
- End switch
- Insect screen
- Galvanized birdscreen



Model 1305  
Flange Mount  
Rear Mount Motor  
(shown blades open)

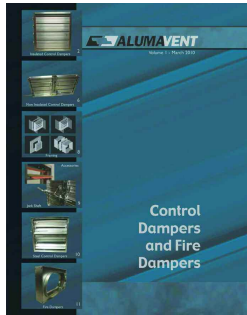


Model 1307  
Front Flange Mount  
Rear Mount Motor  
(shown blades closed)



Model 1300  
Channel Frame  
Rear Mount Motor  
(shown blades open)

Also Available:



## **ALUMAVENT** DAMPER PRODUCTS CATALOG

Featuring:

- Insulated Thermal Break Control Dampers
- Static and Dynamic Fire Dampers
- Airfoil Blade Control Dampers
- Stainless Steel Fire Dampers
- Steel Control Dampers



**BUILT ON SERVICE. BUILT-IN QUALITY.®**



For the most current  
information please visit  
[www.ventexinc.com](http://www.ventexinc.com)

**VENTEX INC.**  
195 HEALEY ROAD  
BOLTON, ONTARIO

905 • 857 • 4700  
1 • 800 • 668 • 7214  
Fax: 1 • 888 • 891 • 6504  
[www.ventexinc.com](http://www.ventexinc.com)